

KTC, KTF, KTP

Linear sensors 75-1500 mm

Potentiometric transducers for measurement, monitoring and control of mechanical strokes. Provides a smooth output, mechanically dependent on the stable glide of the shaft and wiper on the element's surface.

Applications such as industrial controls, robotics, process systems, or replacement of a linear variable differential transformer (LVDT) are ideal uses for these versatile, reliable models.

The transducers are also available with built-in signal converter with 4-20 mA output. The mechanical design for that version is the same.

KTC and KTF have a DIN 43650/ISO 4400 connector, and KTP uses an M12 standard contact.

- Good quality to price ratio
- Robust design
- Option: 4-20 mA output signal

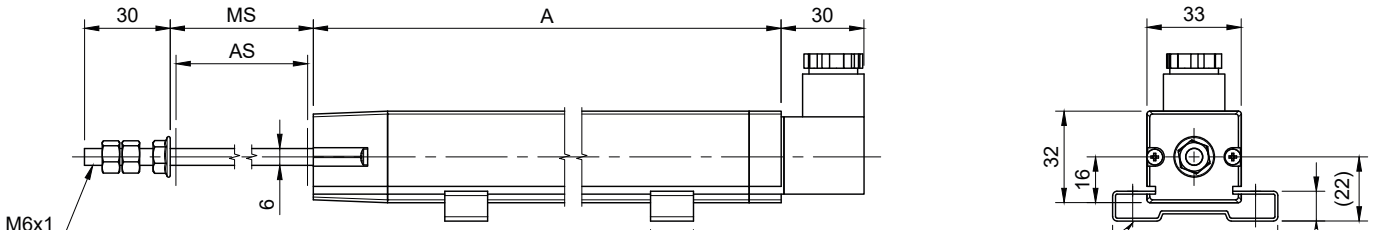


Electrical connection			
Supply voltage	< 36 VDC or 15-36 VDC		
Signal characteristics			
Signal output	Potentiometer or 4-20 mA		
Linearity error	+/- 0,05% FS		
Resolution	Near infinite		
Repeatability error	0.01 mm		
Wiper current	Recommended: < 1 µA Max. 10 mA		
Stroke	75-1500 mm		
Connection			
KTC, KTF	KTP	Potentiometer	4-20 mA
1	3	0 V	0 V
2	4	Output	Output
3	1	Supply VDC	15-36 VDC

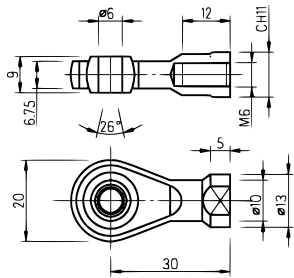
Operating condition	
Operating temperature	Potentiometer: -60°C...+150°C 4-20 mA: -40°C...+85°C
Operating speed	≤ 10 m/s
Vibration	5-2000Hz, 20g
Protection rate	IP67 for KTC* IP54 for KTF
Lifetime	100 million strokes
Material	
Housing	Anodized aluminum nylon 6063-T1
Rod	303 Stainless steel

*At stand still

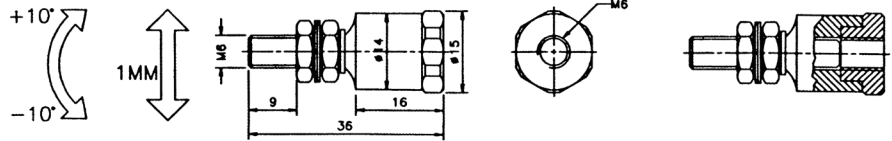
Product dimensions



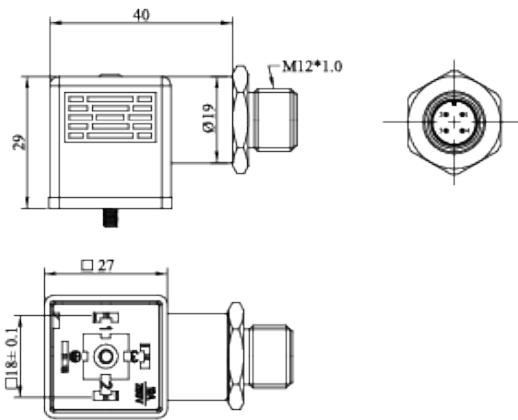
Joint KTC-01



Joint KTC-02



DIN-43650/M12 RC

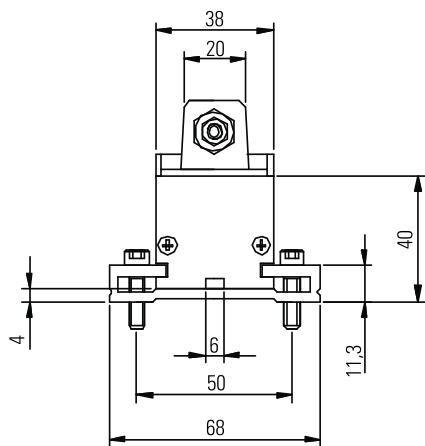
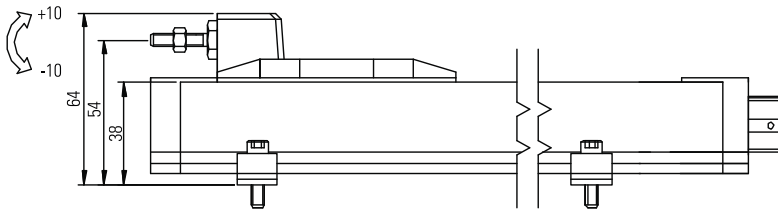
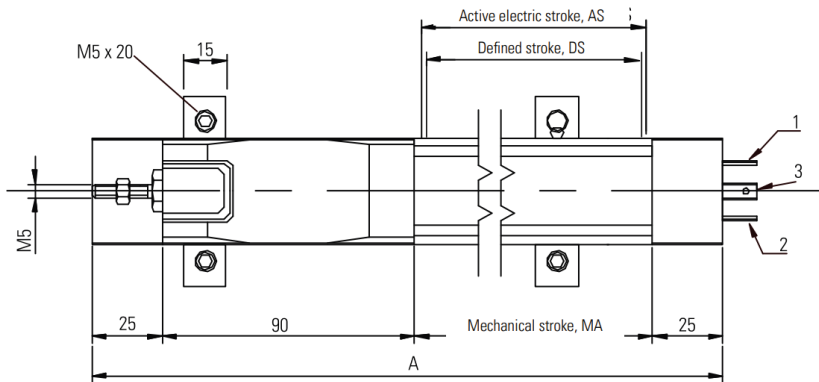


Stroke	AS (mm)	MS (mm)	A (mm)	R (kΩ) ±20%
75	75	79	139	5
100	100	104	164	5
150	150	155	215	5
175	177	181	240	5
200	203	207	266	5
225	226	231	291	5
250	253	258	317	5
300	302	307	367	5
350	353	358	418	5
375	378	384	444	5
400	408	409	469	5
450	455	460	520	5
500	503	508	571	5
550	550	550	593	5
600	607	612	672	10
650	653	658	723	10
750	759	765	825	10
800	803	809	875	10
900	912	917	977	10
1000	1013	1019	1078	10
1250	1263	1269	1330	10

AS: Active electric stroke, mm
 MS: Mechanical stroke, mm
 A: Case length, mm
 R: Resistance ±20%

KTF

Product dimensions

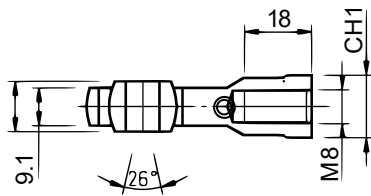
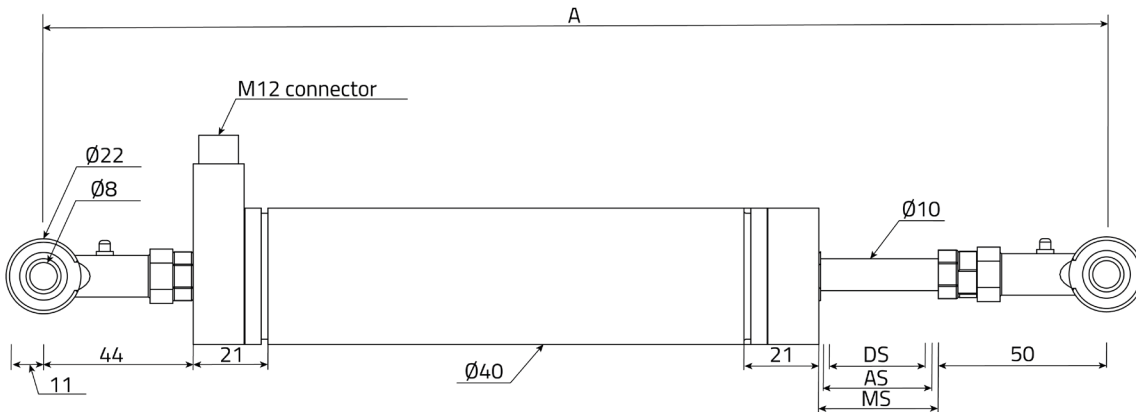


AS: Active electric stroke, mm
 MS: Mechanical stroke, mm
 A: Case length, mm
 R: Resistance $\pm 20\%$

Stroke	AS (mm)	MS (mm)	A (mm)	R (k Ω) $\pm 20\%$
075	75	79	218	5
100	100	104	245	5
150	150	155	296	5
175	177	181	321	5
200	203	207	347	5
225	226	231	372	5
250	253	258	398	5
300	302	307	448	5
350	353	358	499	5
375	378	384	525	5
400	408	409	550	5
450	455	460	601	5
500	503	508	652	5
550	550	550	692	5
600	607	612	753	10
650	653	658	804	10
750	759	765	906	10
800	803	809	965	10
900	912	917	1058	10
1000	1013	1019	1160	10
1250	1263	1269	1410	10
1500	1513	1519	1662	20

KTP

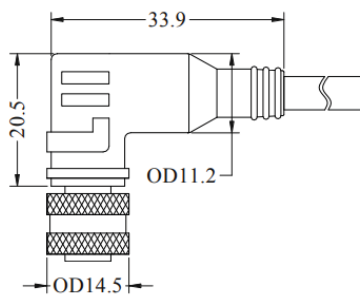
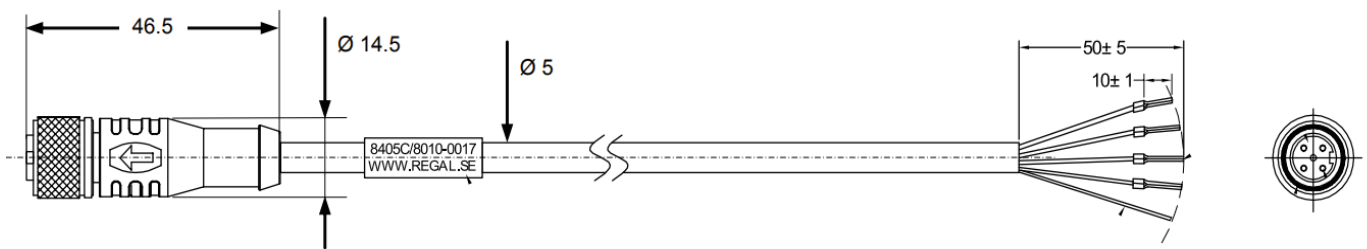
Product dimensions



AS: Active electric stroke, mm
 MS: Mechanical stroke, mm
 A: Case length, mm
 R: Resistance $\pm 20\%$

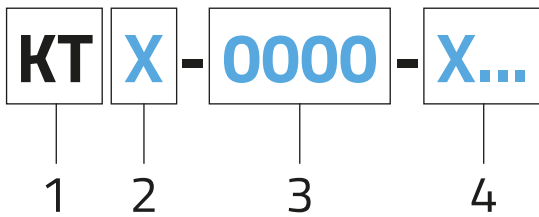
Stroke	AS (mm)	MS (mm)	A (mm)	R (k Ω) $\pm 20\%$
100	100	104	245	5
150	150	155	296	5
200	203	207	347	5
300	302	307	448	5
400	408	409	550	5
500	503	508	652	5
600	607	612	753	10

M12-cable



- 8405:** Straight connector, 5 m cable.
- 8410:** Straight connector, 10 m cable.
- 8490:** 90° angle connector, 10 m cable

Configuration code



Pos	Description	Configurations	Function
1	Product family identifier	KT	
2	Model	C	Rod square profile
		F	Sliding sled square profile
		P	Rod with dual joints round profile
3	Stroke	75...1500	See specifications
4	Output signal	<i>Blank</i>	Potentiometer
		RCE420	4-20mA

Example: KTC-0075-RCE420

Accessory options

Configurations	Function
KTC-01	Joint KTC ¹
KTC-02	Joint KTC ¹
DIN/M12	DIN-43650/M12 RC: Adapter for M12 connector ²
8405	5 m M12 cable with straight connector ³
8410	10 m M12 cable with straight connector ³
8490	10 m M12 cable with 90° angle connector ³

Mounting brackets are included with KTC and KTF

¹Only for KTC

²Only for KTC and KTF

³Only for KTP

