

Data sheet

Mini float switch in plastic

Type: M60....

Order key

M60. 4 . A1 . B4 . 100 . 200 . 01 . 85 . 7

Typ mini float switch M60

Material tube
PP tube ø8 --4
PVDF tube ø8 - 5

Function switching point A 24V/150mA

closes on level rise -- A1
opens on level rise -- A2
closes on level drop-- A3
opens on level drop-- A4
change over contact- A5

Function switching point B 24VDC/150mA 230VAC/1A (with 1 switching point)

Function:

closes on level rise --- B1
opens on level rise --- B2
closes on level rise --- B3
opens on level rise --- B4
change over contact - B5
function rotatable --- B3/B4

Explanation: For a device with one switching point Use switching point B.
Example: M60.4.B4.100.01.85.7

Switching point SPA
in mm customer specification

Switching point SPB
in mm customer specification

Connection

Plug 3pol + PE DIN EN 175301-803--- 01
M12 4 pol --- 02
Cable --- 41

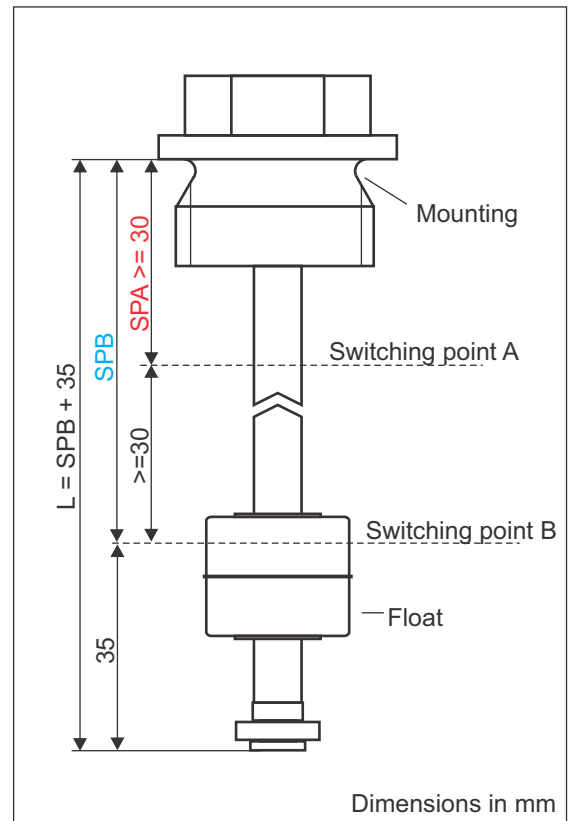
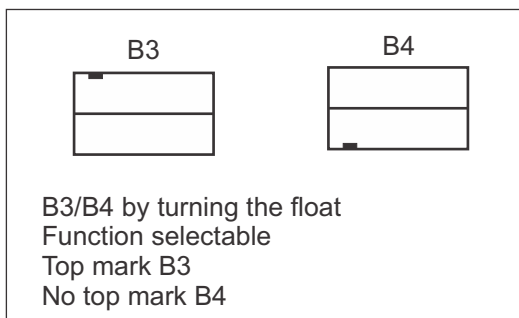
Float

ø25x21mm material PP --- 7
ø25x21mm material PVDF --- 9

Mounting

thread 1" PP ----- 85
thread 1/2" PP ----- 86
thread 1/2" installation from the
inside PP ----- 91
thread 3/4" PP ----- 87

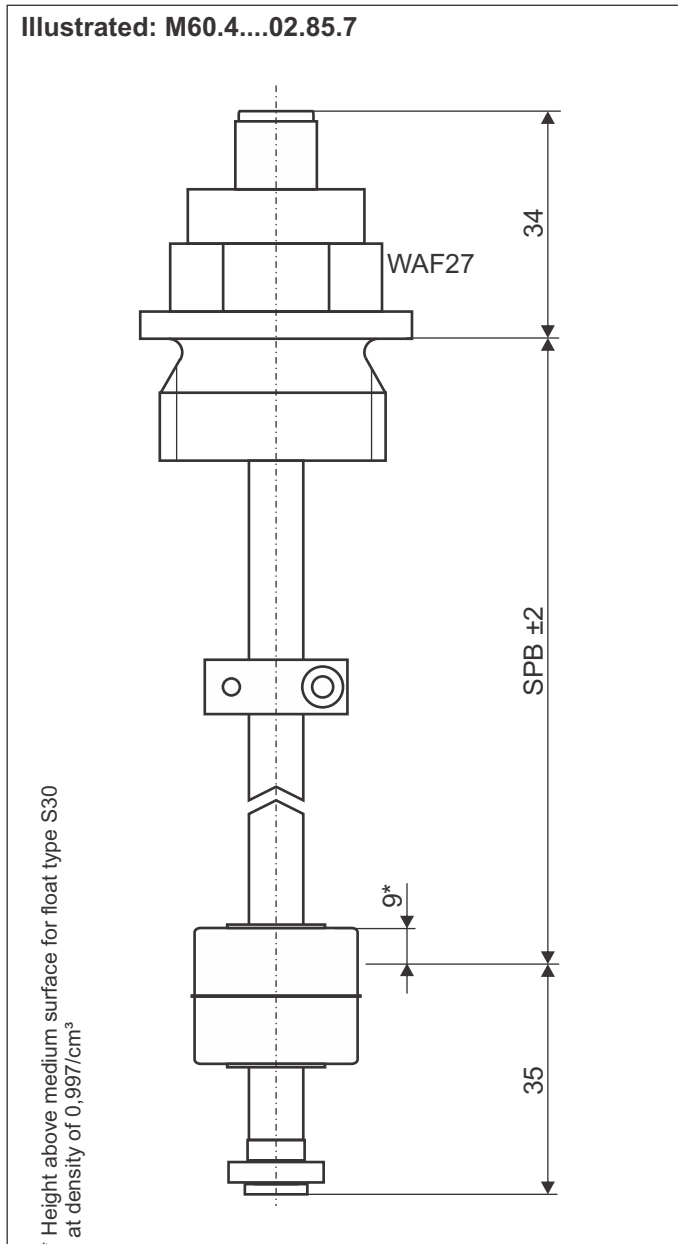
thread 1" PVDF ----- 88
thread 1/2" PVDF ----- 89
thread 1/2" installation from the
inside PVDF----- 92
thread 3/4" PVDF ----- 90



Data sheet

Mini float switch in plastic

Type: M60....

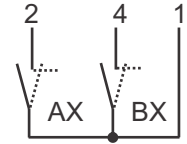


Terminal diagram

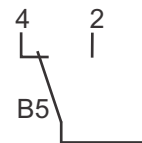
M12 4PoI (02)



1x n.o. contact/
n.c. contact



2x n.o. contact/
n.c. contact



1x change over contact

Technical data

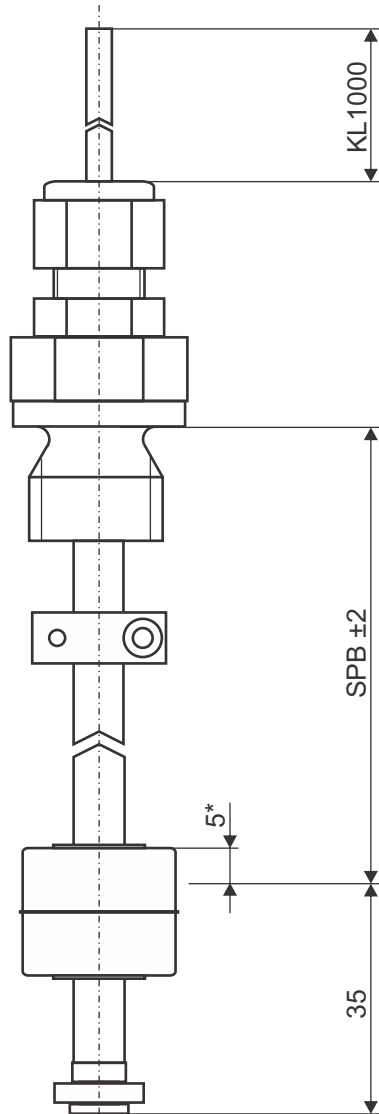
Connection:	plug connection M12x1, material stainless steel, insert 4-pole, material TPU
Mounting:	thread 1", 1/2" or 3/4", DIN 3852 form A, material PP or PVDF
Tube:	Ø8mm, length acc.to specification, material PP or PVDF
Float:	Ø25x21mm, material PP, type S30 Ø25x21mm, material PVDF, type S66
Circlip:	removable, material PP or PVDF
Switching points:	max. 2x reed contacts n.o. contact, n.c. contact or 1x change over contact, funktion bistable
Switching capacity:	max. 24VDC/ 150mA
Pressure:	max. 1 bar
Operating temperature:	-20°C to 80°C in medium, -20°C to 70°C above mounting (PP) -20°C to 100°C in medium, -20°C to 70°C above mounting (PVDF)
Protection rating:	IP 65

Data sheet

Mini float switch in plastic

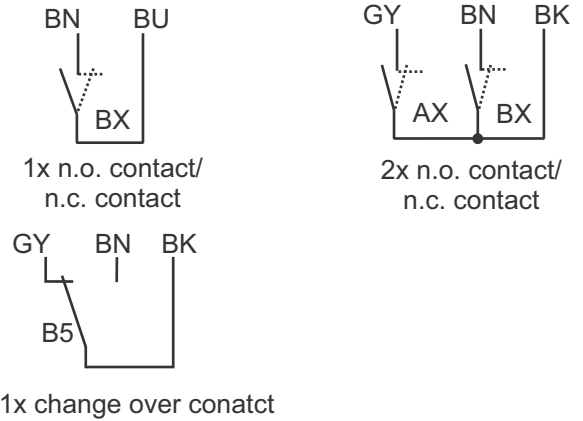
Type: M60....

Illustrated: M60.5....41.89.9.KL1000



* Height above medium surface for float type S66 at density of 0,997g/cm³

Terminal diagram



Technical data

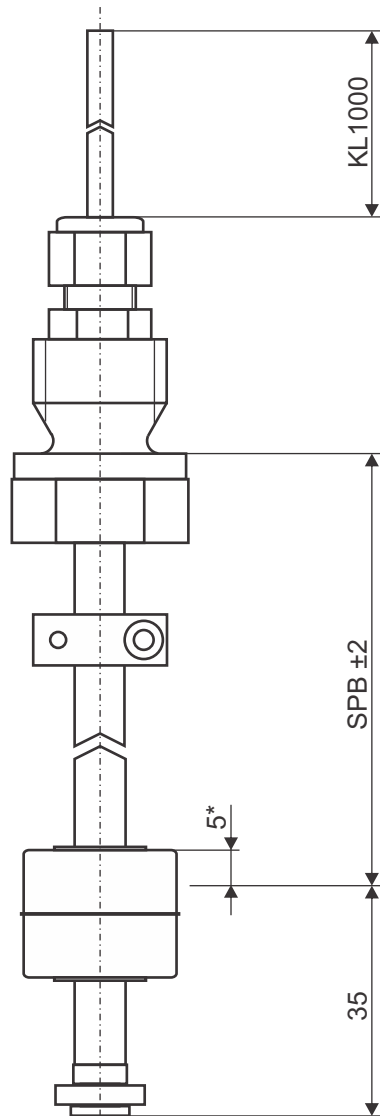
Connection:	connection cable oilflex PVC 2x0,5mm ² or 3x0,5mm ² , length KL acc. to specification, cable gland, material PVDF
Mouting:	thread 1", 1/2" or 3/4", DIN 3852 form A, material PP or PVDF
Tube:	Ø8mm, length acc. to specification, material PP or PVDF
Float:	Ø25x21mm, material PP, type S30 Ø25x21mm, material PVDF, type S66
Circlip:	removable, material PP or PVDF
Switching points:	max. 2x reed contacts n.o. contact, n.c. contact or 1x change over contact, function bistabil
Switching capacity:	max. 24VDC/ 150mA (with 2 switching points) max. 230VAC/1A (with 1 switching point)
Pressure:	max. 1 bar
Operating temperature:	-20°C to 80°C in medium, -20°C to 70°C above mounting (PP) -20°C to 100°C in medium, -20°C to 70°C above mounting (PVDF)
Protection rating:	IP 65

Data sheet

Mini float switch in plastic

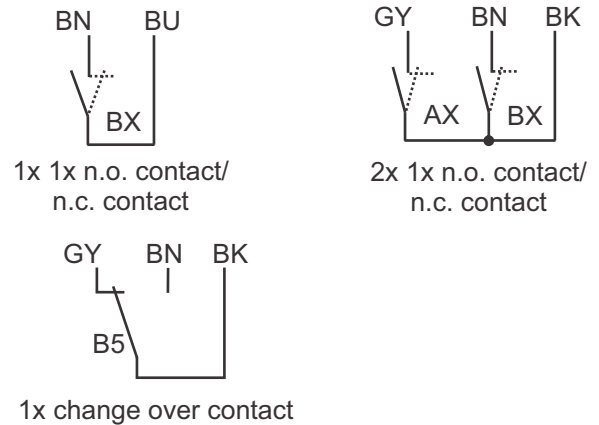
Type: M60....

Illustrated: M60.5....41.92.9.KL1000



* Height above medium surface for float type S66 at density of 0,997g/cm³

Terminal diagram



Technical data

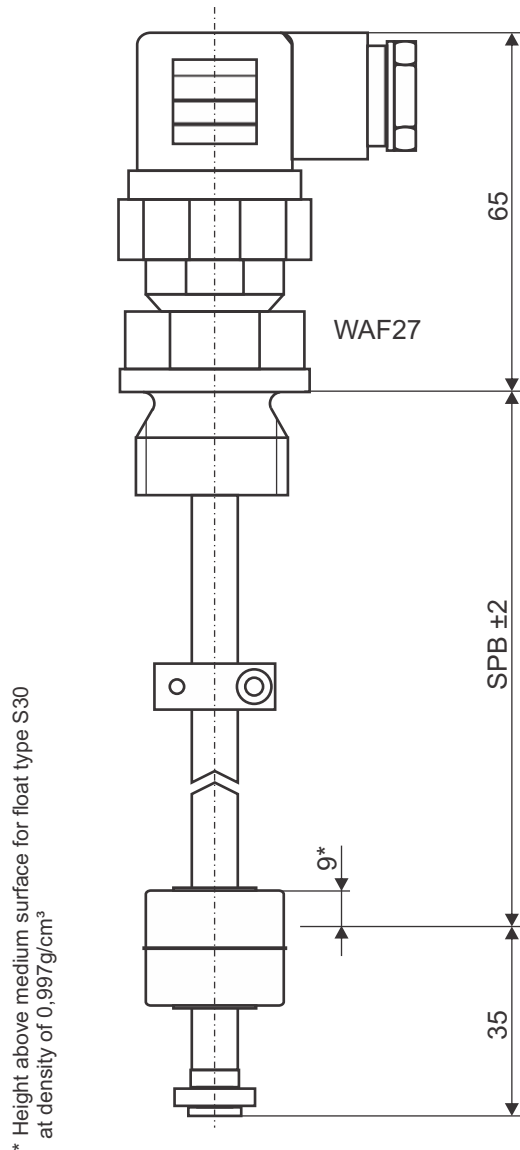
Connection:	connection cable oilflex PVC 2x0,5mm ² or 3x0,5mm ² , length KL acc. to specification, cable gland, material PVDF
Mounting:	thread 1/2", DIN 3852 form A, material PP or PVDF, installation from the inside
Tube:	Ø8mm, length acc. to specification, material PP or PVDF
Float:	Ø25x21mm, material PP, type S30 Ø25x21mm, material PVDF, type S66
Circlip:	removable, material PP or PVDF
Switching points:	max. 2x reed contacts n.o. contact, n.c. contact or 1x change over contact, function bistabil
Switching capacity:	max. 24VDC/ 150mA (with 2 switching points) max. 230VAC/1A (with 1 switching point)
Pressure:	max. 1 bar
Operating temperature:	-20°C to 80°C in medium, -20°C to 70°C above mounting (PP) -20°C to 100°C in medium, -20°C to 70°C above mounting (PVDF)
Protection rating:	IP 65

Data sheet

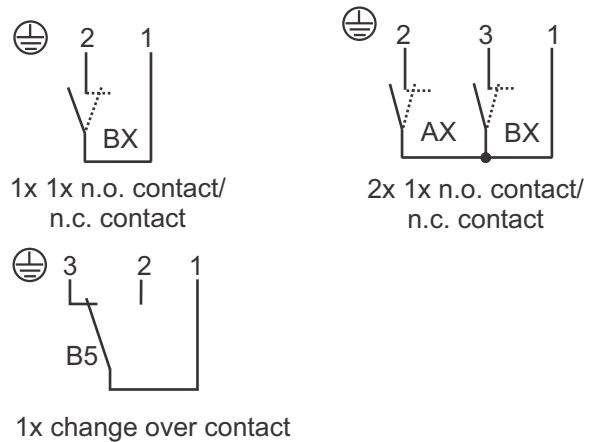
Mini float switch in plastic

Type: M60....

Illustrated: M60.4....01.87.7



Terminal diagram



Technical data

Connection:	plug connection 3-poe PE, DIN EN 175301-803 (DIN 43650), material PA
Mounting:	thread 1", 1/2" or 3/4", DIN 3852 form A, material PP or PVDF
Tube:	Ø8mm, length according to specification, material PP or PVDF
Float:	Ø25x21mm, material PP, type S30
	Ø25x21mm, material PVDF, type S66
Circlip:	removable, material PP or PVDF
Switching points:	max. 2x reed contacts n.o. contact, n.o. contact or 1x change over contact, function bistabil
Switching capacity:	max. 24VDC/ 150mA (with 2 switching points)
	max. 230VAC/1A (with 1 switching point)
Pressure:	max. 1 bar
Operating temperature:	-20°C to 80°C in medium, -20°C to 70°C above mounting (PP)
	-20°C to 100°C in medium, -20°C to 70°C above mounting (PVDF)
Protection rating:	IP 65