

# 15C/P Series

## Linear Position Sensor 5-50 mm

The 15C/P series spring return linear motion sensor is high accuracy and is suited for a variety application requiring a miniaturized solution.

An integral element and wiper assembly assures smooth, noise free travel over the unit.

Careful selection of the materials and high-quality components used in 15C/P series potentiometers ensure consistent measurement and reliable operation throughout the service life of the sensor.

15C/P series offer a highly ruggedized design. Defined electrical range is 5mm to 55mm. It is reliable in a harsh environment and in limited space.



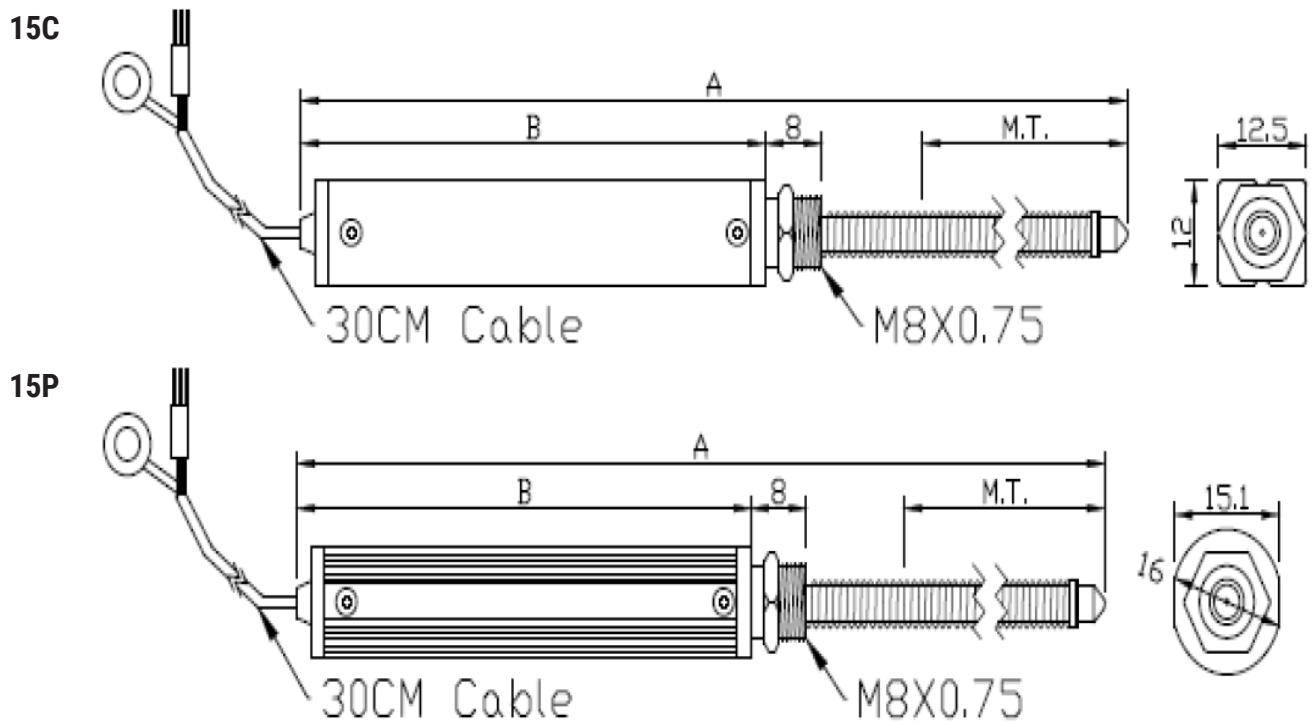
15C/P Series Model	5	10	15	20	25	40	50
Useful electrical stroke (A.E) (mm)	5	10	15	20	25	40	50
Resistance (T.E) $\pm 20\%$ (K $\Omega$ )	2					5	
Independent linearity (within A.E.) ( $\pm$ %)	0.1						
Mechanical stroke (M.T.) (mm)	A.E.+3						
Case length (B) (mm)	A.E.+28.8						
Total length (A) (MM)	B X 2						
Resolution	Infinite						
Repeatability (mm)	0.01						
Displacement speed (m/s)	$\leq 5$						
Protection level	IP65						
Life	$1 \times 10^6$						
Displacement force	0.5N						
Vibrations	5 - 2000Hz, Amax =0.75 mm amax. = 20 g						
Shock	50 g, 11ms						
Recommended cursor current ( $\mu$ A)	$< 1$						
Max. cursor current (mA)	10						
Maximum applicable voltage (V)	24					60	
Electrical isolation (M $\Omega$ )	$> 100$						
Dielectric strength ( $\mu$ A)	$< 100$ @ 500V~, 50Hz, 2s, 1bar						
Dissipation at @70°C (W)	0.5						
"Actual Temperature Coefficient $\leq$ 5ppm/°C typical of the output voltage" (ppm/°C)	$\leq 1$						
Working temperature (°C)	-55~+135						
Material for transducer case	Anodised Aluminium Nylon 66 G 25						
Material for pull shaft	Stainless Steel AISI 303						
Fixing	Screw bearing, nuts						

- Compact design
- Spring return
- Large temperature span
- Good performance/price ratio

# 15C/P Series

Linear Position Sensor 5-50 mm

## Mechanical Dimensions (mm)



## Electric Connection

