

6140

Cylinder connector M12



6140 is a very robust stainless steel flange connector, designed for heavy duty use in hydraulic applications. Mostly as a hydraulic pressure sealing on the cylinder wall, keeping the oil inside but electrically connecting the incorporated sensor with the system outside.

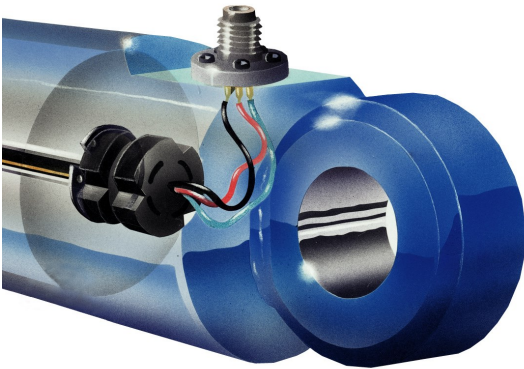
This flange connector has found to be working 100% during years of use in harsh environments, thanks to the robust design and glass used to keep the high pressure. Working pressure is allowed even up to 350 bar.

6140 Back side

**6140**

- Outstanding life time
- Standard M12 sensor connector
- Working pressure up to 350 bar
- Small dimensions
- Easy assembly with 5 screws

6140 Mounting suggestion

**SPECIFICATION**

Material	Stainless steel
Insulator	Glass
Contacts	52 alloy, gold plated, MIL-G-45204
Max pressure	350 bar with O-ring (not included)
Protection class, M12-side	Up to IP68*
Temperature range	-40°C...+125°C

* Depends on mating connector

CONNECTION

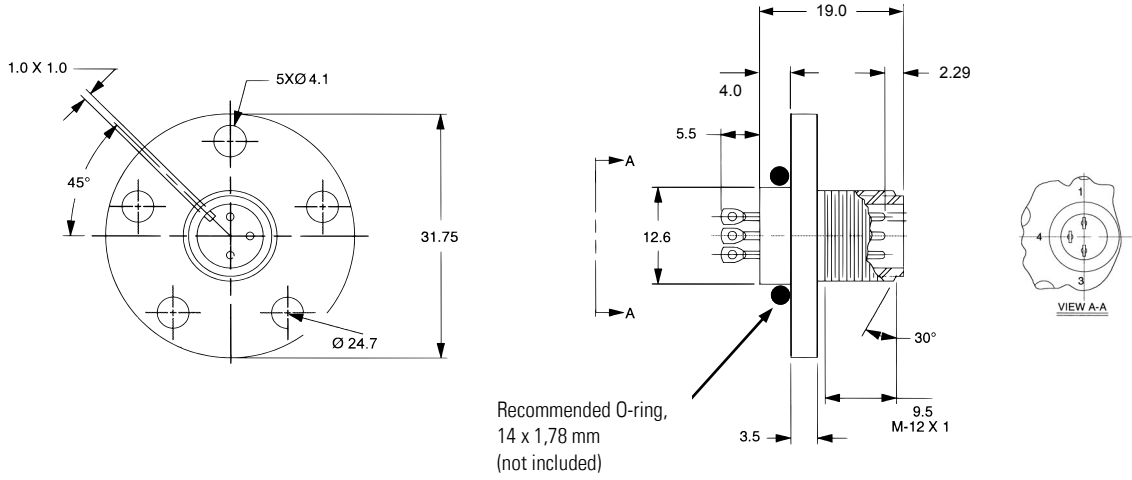
Pin	PS6300	PS6500	RCL40/41	GYcAT4	GYGS
1	Blue	Red	Red / White	Red	Red
3	Black	Black	Black / Brown	Black	Black + Screen
4	Red	Yellow	-	White+Green	White

2024-04-04, specifications subject to change without notice

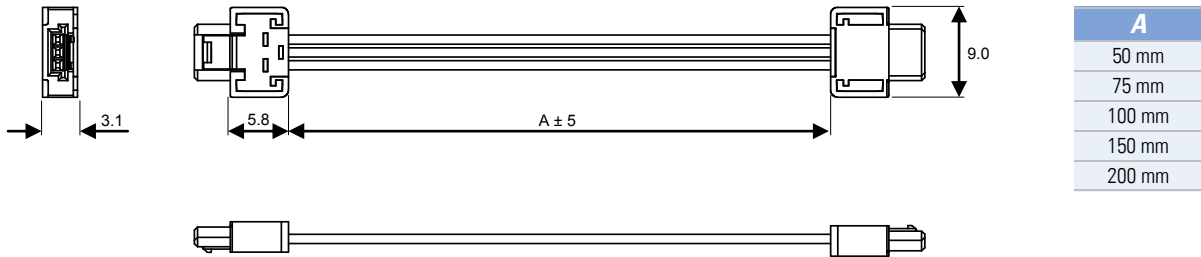
6140

Cylinder connector M12

Flange connector 6140



Mini-cable



(mm)

2024-04-04, specifications subject to change without notice