



RSM

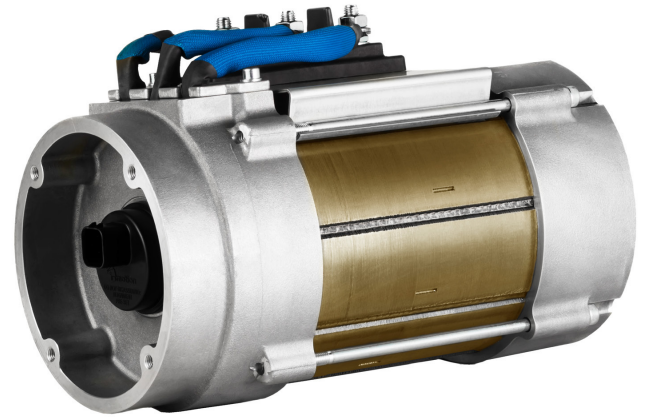
Rugged Brushless PMAC Motors

The RSM is a range of motors that is optimized for system voltages from 36V to 96V and deliver power outputs from 5 to 16 kW. It is specially designed for hydraulic pump applications, which makes it suitable for most battery-powered electric or hybrid vehicles.

The RSM motors are developed and manufactured to deliver high quality and reliability. They have a rugged construction that can withstand harsh vehicle conditions and resist dust and water.

The RSM motors also have a flexible interface that can adapt different mechanical components such as hydraulic pumps and other types of power transmission.

The PMAC motor technology ensures flexibility and very high efficiency across various speed and torque levels.



- PMAC technology for superior efficiency
- Reliable and high-quality motors with rugged construction
- Customizable interface, designed with pump applications in mind
- Sin/Cos feedback

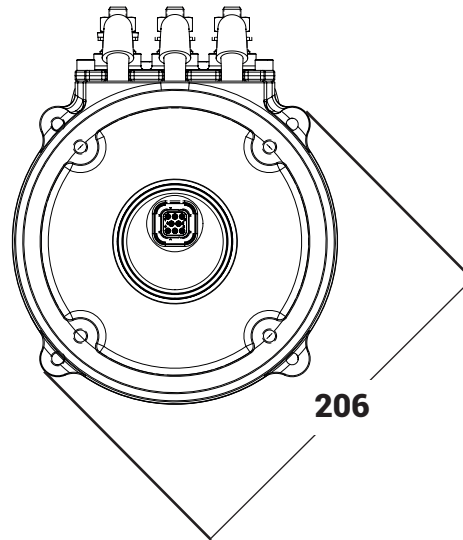
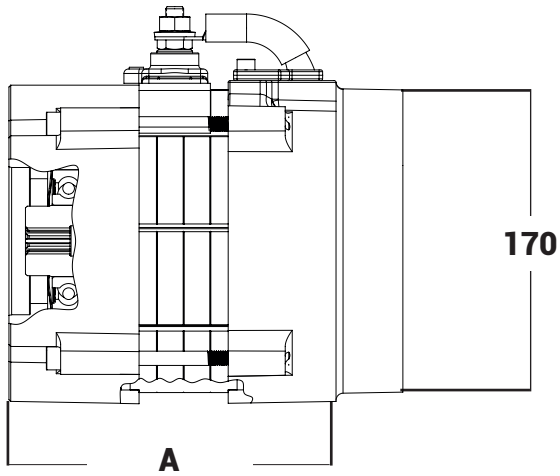
Performance								
RSM MODEL	1000 rpm		1500 rpm		2500 rpm		3500 rpm	
	RATED TORQUE		RATED TORQUE		RATED TORQUE		RATED TORQUE	
	(S2 2 min) Nm	(S2 1 h) Nm	(S2 2 min) Nm	(S2 1 h) Nm	(S2 2 min) Nm	(S2 1 h) Nm	(S2 2 min) Nm	(S2 1 h) Nm
RSM 170-60	33	14	30	14	18	13	13	10
RSM 170-120	64	26	60	25	34	25	25	20
RSM 170-170	81	43	81	40	68	63	47	33
RSM 170-200	118	50	117	48	90	45	60	41
RSM 170-240	146	60	144	56	92	50	62	43

RSM

Rugged Brushless PMAC Motors

Dimensions

RSM MODEL	DIMENSION [A] (mm)
RSM 170-60	91
RSM 170-120	121
RSM 170-170	151
RSM 170-200	181
RSM 170-240	211



Power Rating S2 60 min

RSM MODEL	POWER AT 3500 rpm (kW)
RSM 170-60	5
RSM 170-120	7
RSM 170-170	12
RSM 170-200	15
RSM 170-240	16

