

# ACW4 CANopen

## CANopen Absolute Single-turn Modular Rotary Sensor

ACW4 CANopen is a modular hall effect rotary sensors. With its two-part design ACW4 CANopen offers maximum flexibility for installation.

The sensor is paired with a magnet of your choice (see magnet datasheet) and the non-contact operation ensure minimal wear and excellent lifetime.

ACW4 CANopen is a robust and well proven sensor for the harshes conditions, used in off-road vehicles and mobile machinery with excellent shock and vibration resistance.



- Absolute single-turn sensor
- Modular two-part design
- Shock and vibrant resistant
- Custom option available

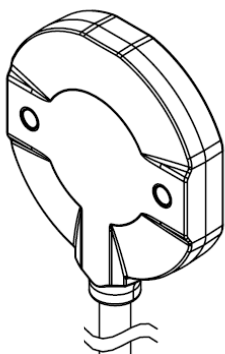
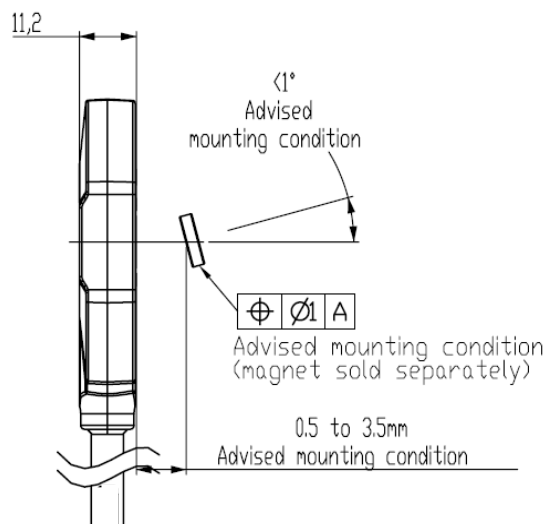
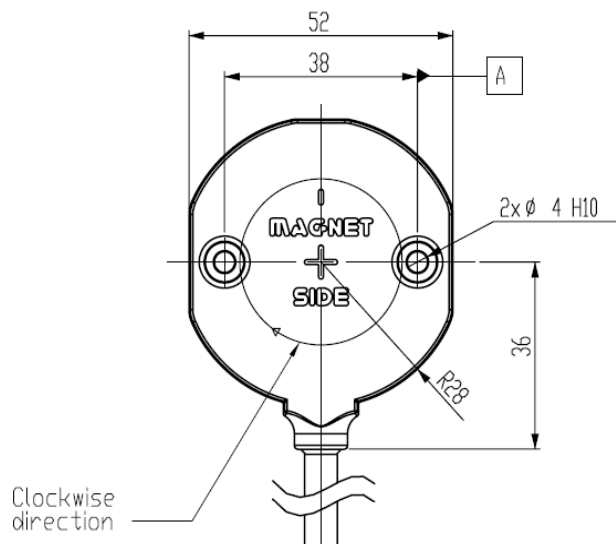
Electrical Specifications	
Supply Voltage	5 to 30 Vdc
Output Function	CANopen
Electrical Angle	360°
Accuracy	± 0.3% on 360°
Repeatability	± 0.1% on 360°
Resolution	Single turn 14 bit
Min. Cycle Time	< 400µs
Start-up	< 1 s
Current Requirements	< 40 mA
Protection	Overvoltage Protection Reverse Polarity Protection Short Circuit Protection
EMC	IEC 61000-4-2 Electrostatic discharge (ESD) 4 kV, 8 kV IEC 61000-4-3 Electromagnetic fields 10 V/m (80MHz - 1GHz), 3V/m (1.4GHz - 2GHz), 1V/m (2GHz - 2.7GHz) IEC 61000-4-4 Electrical fast transients (burst) 1 kV IEC 61000-4-6 Conducted disturbances, induced by RF-fields 10 Veff
MTTFd	Available on request

Environmental & Mechanical Specifications	
Operating Temperature	- 30... + 85 °C (encoder T°)
Vibrations (EN60068-2-6)	≤ 200m.s <sup>-2</sup> (55 ... 2 000 Hz)
Shock (EN60068-2-27)	≤ 2000m.s <sup>-2</sup> (during 6 ms)
Ingress Protection Housing	IP67 (IP69K option)
Material Electric Connection	PVC cable
Material Housing	Macromelt PA638
Material Magnets	See specification magnet datasheet
Weight	0.150 kg

# ACW4 CANopen

CANopen Absolute Single-turn Modular Rotary Sensor

## Dimensions (mm)



# ACW4 CANopen

CANopen Absolute Single-turn Modular Rotary Sensor

## Connections

		N.C.	CAN LOW	CAN GND / 0V	N.C.	N.C.	0V	CAN HIGH	N.C.	5/30Vdc	GROUND
BB	PVC Cable + D89	1	2	3	4	5	6	7	8	9	General shielding

## Order Information

**ACW4\_00//PBBB//14//BBR020**

1 2 3 4 5 6 7 8

1	FAMILY	ACW4	Absolut Single-turn Sensor
2	SHAFT Ø	00	Modular
3	SUPPLY	P	5-30 Vdc
4	OUTPUT STAGE	BB	CANopen
5	CODE	B	Binary
6	RESOLUTION	14	14 bits
7	CONNECTION	BBR	Side PVC Cable
8	CABLE LENGTH	020	2 meters

Example: ACW4\_00//PBBB//14//BBR020

## Order Notification

Magnets are ordered separately, refer to magnet datasheet.  
Contact Regal Components for custom option requests.

