

Magnets

Magnets for ACW4 and TCW4 Rotary Sensors

Series of standard magnet holders for ACW4 and TCW4 sensors.

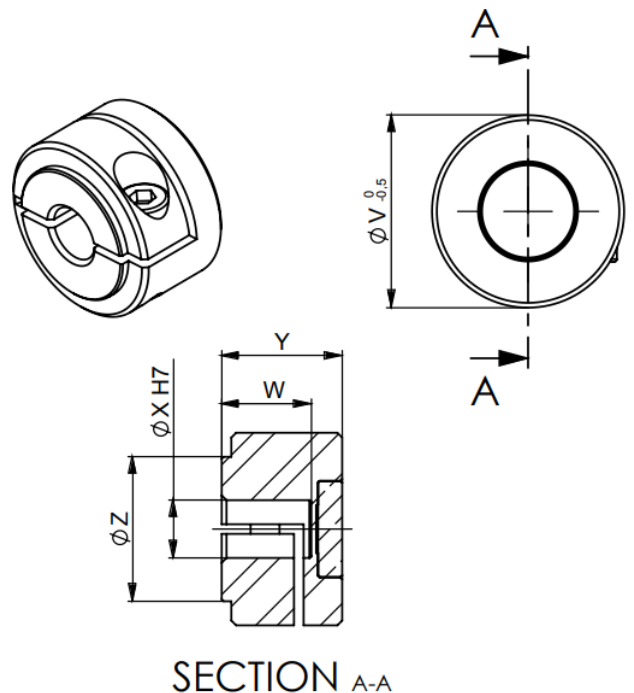
The 8810/013 also allows for custom design magnet holders to fit different application needs.

Regal are able to design and manufacture custom magnet holders, please contact us for more information.



Female Magnet Holder M9105/KXX (Aluminium)

KXX: Where **XX** is the shaft mounting diameter in mm. Standards are 06, 08, 10, 11, and 14 mm. i.e M9105/K10 mounts to a 10 mm shaft.



Dimensions & Order no.

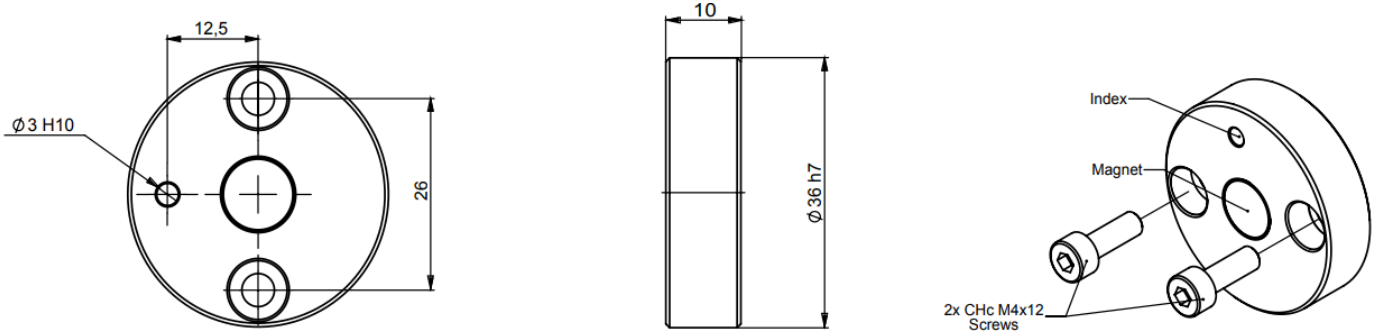
	M9105/K06	M9105/K08	M9105/K10	M9105/K11	M9105/K14
X	06 H7	08 H7	10 H7	11 H7	14 H7
V	20	20	26	26	29
W	9.3	9.3	10	10	10
Y	12.5	12.5	14	14	14
X	15	15	15	15	18

Magnets

Magnets for ACW4 and TCW4 Rotary Sensors

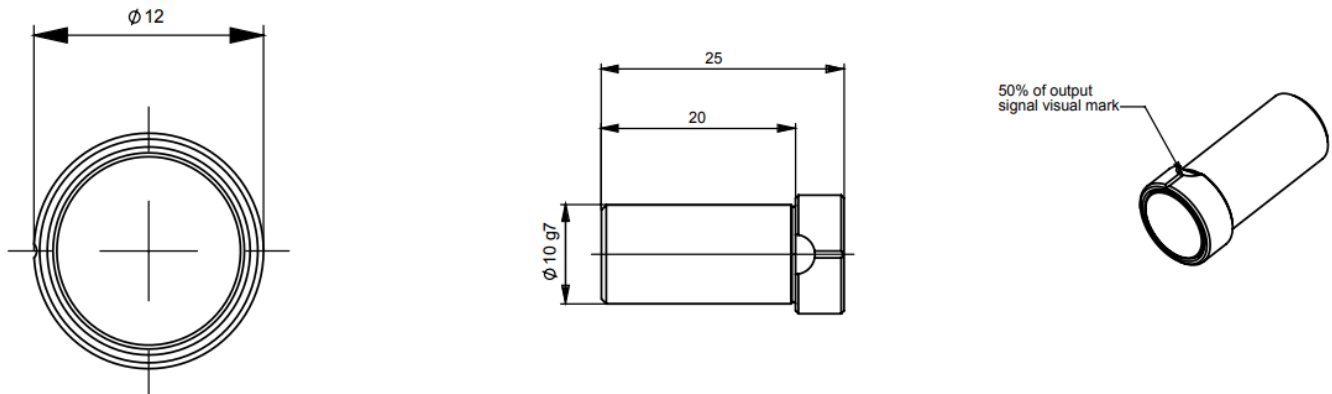
Frontal Magnet Holder (Aluminium)

Order no. M9105/F26



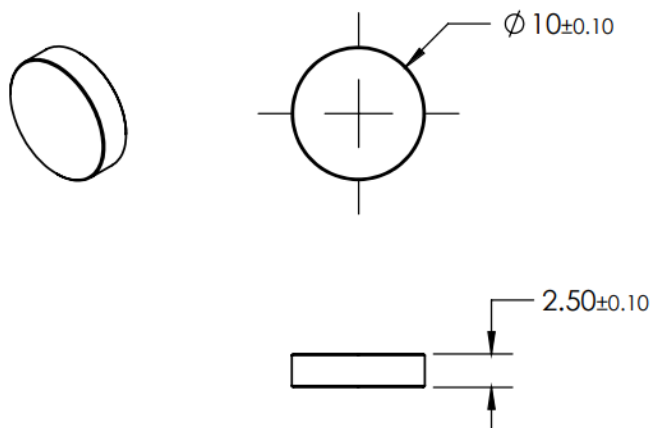
Male Magnet Holder (Stainless Steel)

Order no. M9105/M10-01



Magnet

Order no. 8810/013



Magnets

Magnets for ACW4 and TCW4 Rotary Sensors

Change Log	
2023_01	New layout
2023_02	New layout