

KTC, KTF, KTP

Linear sensor 75-1000 mm

Potentiometric transducer for measurement, monitoring and control of mechanical strokes. Provides a smooth output, mechanically dependent on the stable glide of the shaft and wiper on the element's surface.

Applications such as industrial controls, robotics, process systems or replacement of a linear voltage differential transformer (LVDT) are ideal uses for this versatile, reliable model.

The transducer is also available with built in signal converter with 4-20 mA output. The mechanical design for that version is the same.

KTC and KTF has a DIN 43650 ISO 4400 connector and KTP use a M12 standard contact.



- Good quality to price ratio
- Robust design
- Option: 4-20 mA output signal

SPECIFICATIONS

Supply voltage	< 40 VDC or 15-36 VDC
Output signal	Potentiometer or 4-20 mA
Linearity	< 400 mm: <0,07 % FS > 400 mm: <0,05 % FS
Repeatability	<0,01 mm
Resolution	Near infinite
Wiper current	Recommended: < 1 µA Max. 10 mA
Stroke	75-1000 mm
Temperature	Potentiometer: -55°C...+125°C 4-20 mA: -40°C...+85°C
Material housing	Aluminium
Material rod	303 Stainless steel
Operating speed	< 10 m/s
Vibration	5-2000Hz, 20g
Protection rate	IP55 ¹
Life time	100 million strokes

¹At stand still

CONNECTION

KTF, KTC	KTP	Potentiometer	4-20 mA
1	3	0 V	0 V
2	4	Output	Output
3	1	Supply VDC	15-36 VDC

ORDER INFORMATION

KT ¹ - ² - ³ - ⁴

Example: KTC-100-P-KTC-01

1 Model

Rod square profile	C
Sliding sled square profile	F
Rod with dual joints round profile	P

2 Stroke

Please refer "Model specific attributes"

3 Output signal

Potentiometer	P
4-20 mA	RCE420

4 Accesories*

Joint KTC ¹	KTC-01
Joint KTC ¹	KTC-02
DIN-43650/M12 RC: Adapter for M12 connector ²	DIN/M12
5 m M12 cable with straight connector ³	8405
10 m M12 cable with straight connector ³	8410
10 m M12 cable with 90° angle connector ³	8490

* Mounting brackets are included with KTC and KTF

¹Only for KTC

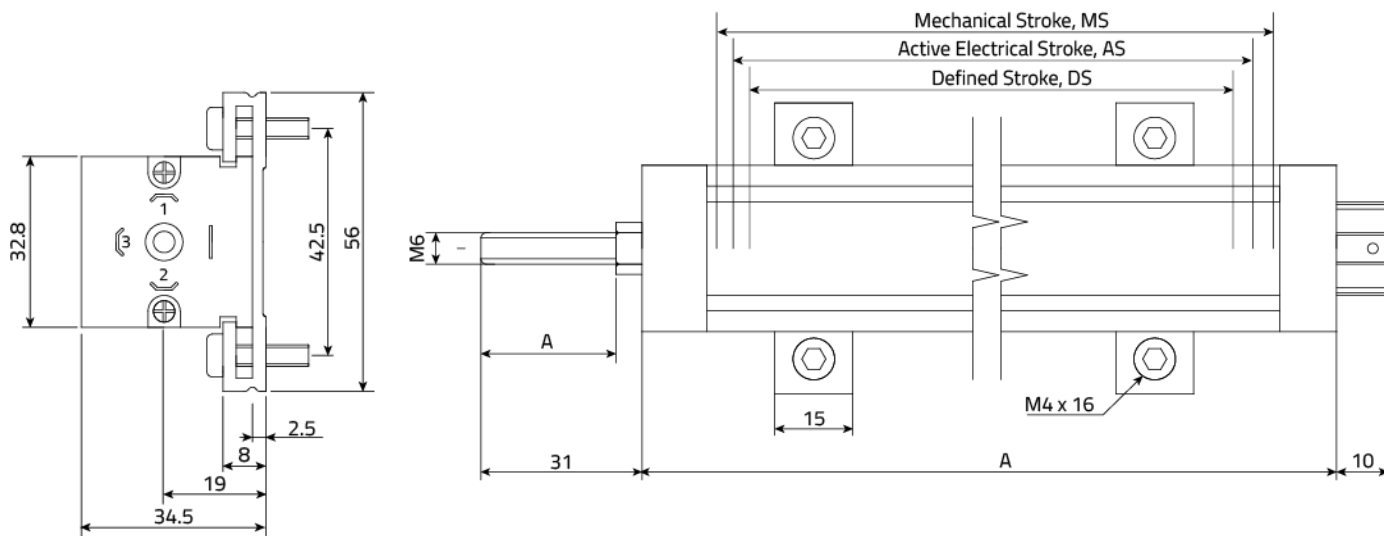
²Only for KTC and KTF

³Only for KTP

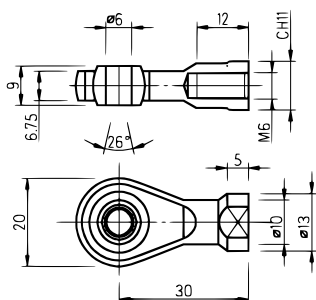
KTC, KTF, KTP

Linear sensor 75-1000 mm

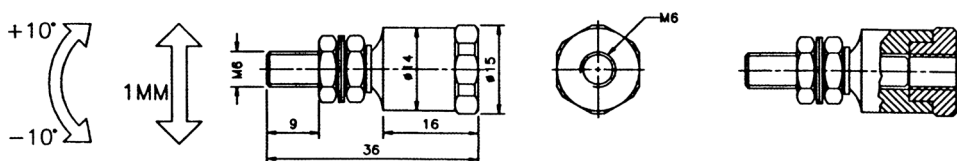
KTC



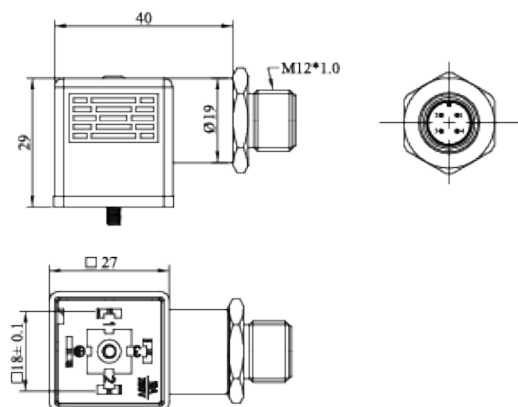
JOINT KTC-01



JOINT KTC-02



DIN-43650/M12 RC



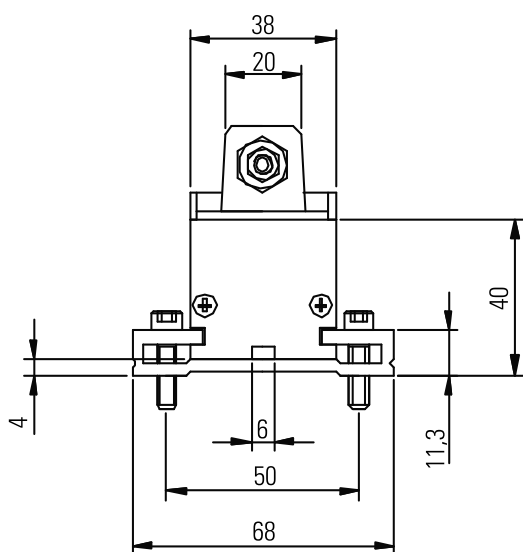
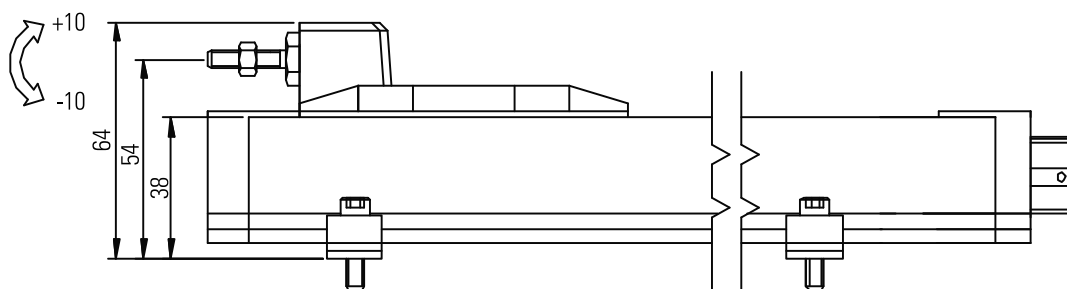
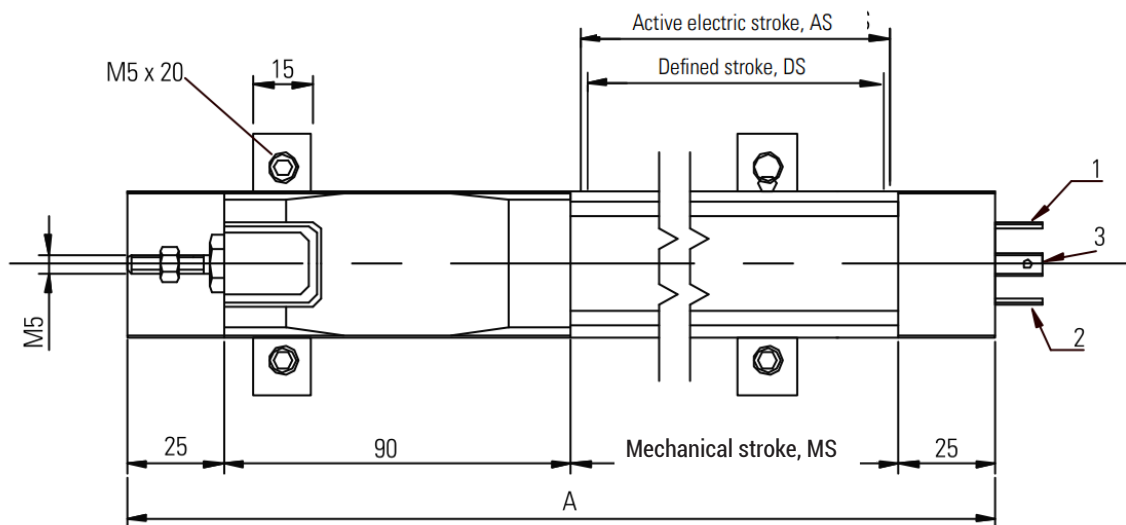
MODEL SPECIFIC ATTRIBUTES

Model	DS [mm]	MS [mm]	AS [mm]	A [mm]	R (kΩ) ±10%
75	75	79	75	139	5
100	100	104	100	164	5
150	150	155	150	215	5
225	225	231	226	291	5
300	300	307	302	367	5
375	375	384	378	444	5
450	450	460	455	520	5
525	525	536	531	596	5
600	600	612	607	672	10
750	750	765	759	825	10
900	900	917	812	977	10
1000	1000	1019	1013	1078	10

KTC, KTF, KTP

Linear sensor 75-1000 mm

KTF



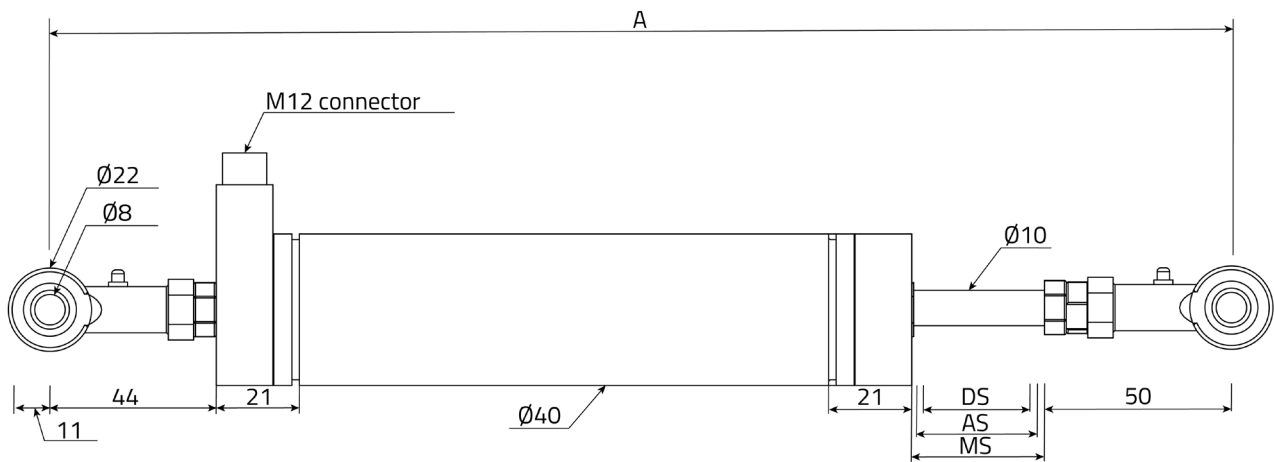
MODEL SPECIFIC ATTRIBUTES

Model	DS [mm]	MS [mm]	AS [mm]	A [mm]	R (kΩ) ±10%
75	75	79	75	218	5
100	100	104	100	245	5
150	150	155	150	296	5
225	225	231	226	372	5
300	300	307	302	448	5
375	375	384	378	525	5
450	450	460	455	601	5
525	525	536	531	677	5
600	600	612	607	753	10
750	750	765	759	906	10
900	900	917	812	1058	10
1000	1000	1019	1013	1160	10

KTC, KTF, KTP

Linear sensor 75-1000 mm

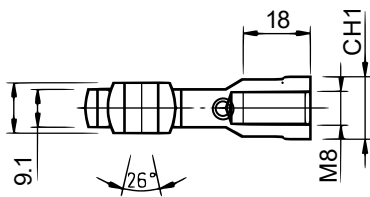
KTP



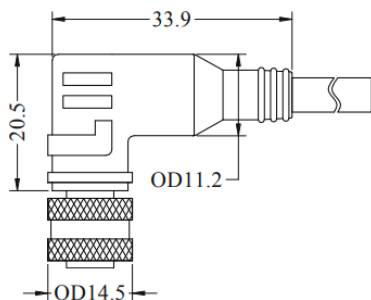
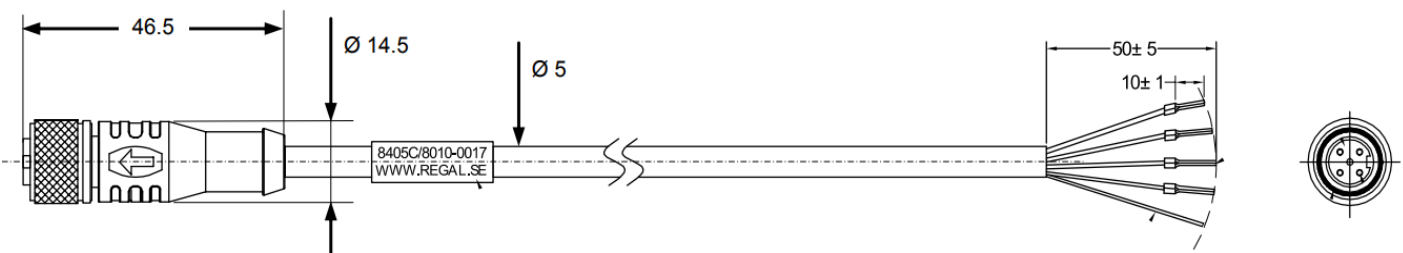
DS: Defined stroke
AS: Active electric stroke
MS: Mechanical stroke

MODEL SPECIFIC ATTRIBUTES

Model	DS [mm]	MS [mm]	AS [mm]	A [mm]	R (k Ω) $\pm 10\%$
100	100	111	100	276	5
150	150	158	150	327	5
200	200	210	203	378	5
300	300	312	302	479	5
400	400	416	403	581	5
500	500	515	503	683	5
600	600	618	607	784	10



M12-Cable



8405: Straight connector, 5 m cable.
8410: Straight connector, 10 m cable.
8490: 90° angle connector, 10 m cable



Rev no.
2023_1 specifications subject to change without notice

REGAL COMPONENTS AB • LEFFLERSGATAN 1 • SE-754 50 UPPSALA • SWEDEN
+46 (0)18-65 70 00 • WWW.REGAL.SE • INFO@REGAL.SE