

Pressure gauges with Bourdon tube without / with glycerine filling

Nominal size NG 63
Accuracy class 1,6

According to DIN EN 837-1

Features

High dynamic loads
Rugged construction

Applications

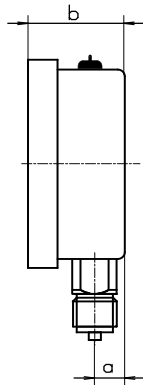
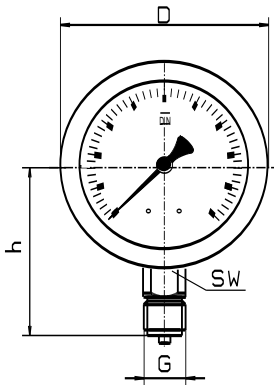
Food industry,
Plant construction ,Chemical industry, Mining,
General Machine construction,
with glycerine filling : Compressors,
Pumps, Hydraulics



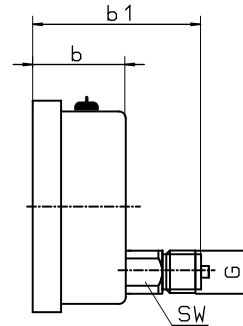
	with glycerine filling			
Model and ND	MR-20 63	MR-25 63	MR-20 F 63	MR-25 F 63
Connection	bottom	back, eccentric	bottom	back, eccentric
Ranges in bar	0...1, 1,6, 2,5, 4, 6, 10, 16, 25, 40, 60, 100, 160, 250, 400, 600, 1.000 -1 / 0, -1 / +0,6, -1 / +1,5, -1 / +3, -1 / +5, -1 / +9, -1 / +15			
Application	permanent loading : to 3/4 max. rating dynamic loading : to 2/3 max. rating Overload protection : max. rating			
Case	CrNi steel			
Bayonet ring	CrNi steel		CrNi steel	
Window	glass			
Dial	Aluminium white , scale and imprint black			
Pointer	Aluminium , black			
Movement	CUZn -alloy,			
Measuring element	Copper alloy, up to 40 bar bourdon tube, from 60 bar helical tube stainless steel > 400 bar helical tube			
Connection	G 1/4 B			
Protection class	IP 54 according to EN 60529 / IEC 529			
Temperatures	Medium: -20°C to 80°C, ambient : -25°C to 60°C			
Weight	0,2 kg		0,25 kg	

Dimensions

Connection bottom



Connection back eccentric

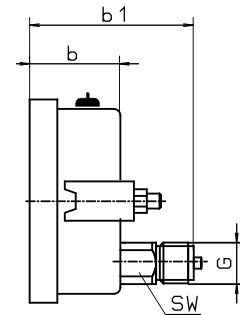
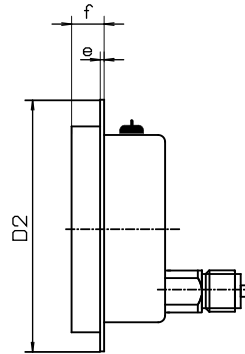
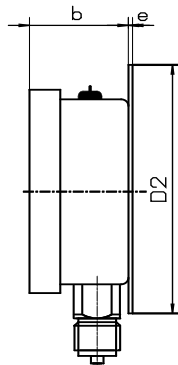
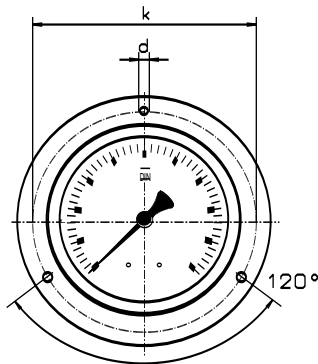


Front flange

Rear flange

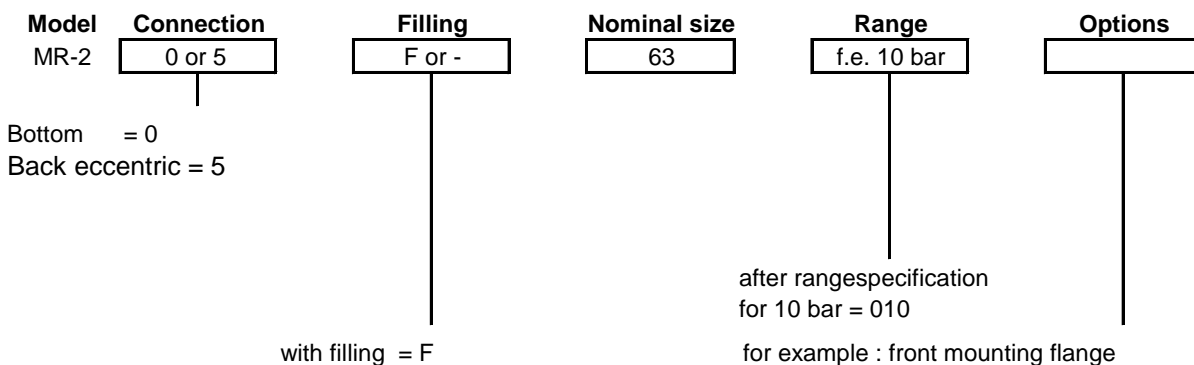
Front flange

with triangle bezel and U-clamp,



Dimensions in mm														
Model	NG	D	a	b	b1	h		D2	e	f	k	d	sw	G
MR-20	63	68,5	9,5	31	-	53		85	3	16	75	3,7	14	G 1/4 B
MR-25	63	68,5	-	31	60	-		85	3	16	75	3,7	14	G 1/4 B
MR-20 F	63	68,5	9,5	31	-	53		85	3	16	75	3,7	14	G 1/4 B
MR-24 F	63	68,5	-	31	60	-		85	3	16	75	3,7	14	G 1/4 B

Modelspecification



Pressure gauges with Bourdon tube without / with glycerine filling

Nominal size NG 63
Accuracy class 1,6

according to DIN EN 837-1

Features

High dynamic loads
Rugged construction

Applications

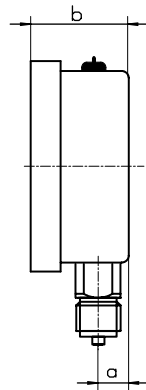
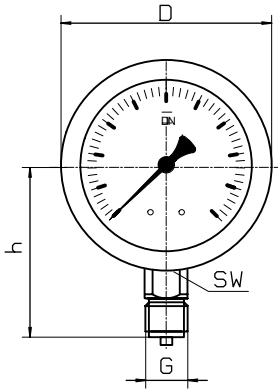
Food industry,
Plant construction ,Chemical industry, Mining,
General Machine construction,
with glycerine filling : Compressors,
Pumps, Hydraulics



	with glycerine filling			
Model and ND	MR-20 63	MR-25 63	MR-20 F 63	MR-24 F 63
Connection	bottom	back, eccentric	bottom	back, centric
Ranges in bar	0...1, 1,6, 2,5, 4, 6, 10, 16, 25, 40, 60, 100, 160, 250, 400, 600, 1.000 -1 / 0, -1 / +0,6, -1 / +1,5, -1 / +3, -1 / +5, -1 / +9, -1 / +15			
Application	permanent loading : to 3/4 max. rating dynamic loading : to 2/3 max. rating Overload protection : max. rating			
Case	CrNi steel			
Bezel	CrNi steel		CrNi steel	
Window	plexiglass			
Dial	Aluminium white , scale and imprint black			
Pointer	Aluminium , black			
Movement	CUZn -alloy,			
Measuring element	Copper alloy, up to 40 bar bourdon tube, from 60 bar helical tube stainless steel > 400 bar helical tube			
Connection	G 1/4 B			
Protection	IP 65 according to EN 60529 / IEC 529			
Temperatures	Medium: -20°C to 80°C, ambient : -25°C to 60°C			
Weight	0,2 kg		0,25 kg	

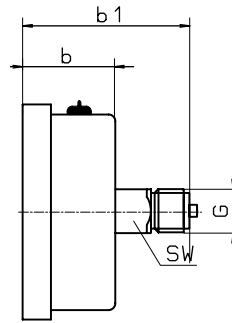
Dimensions

Connection bottom

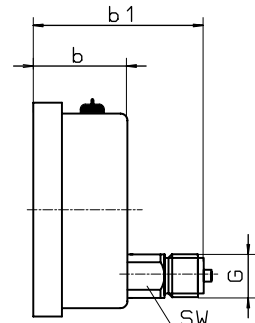


Connection back

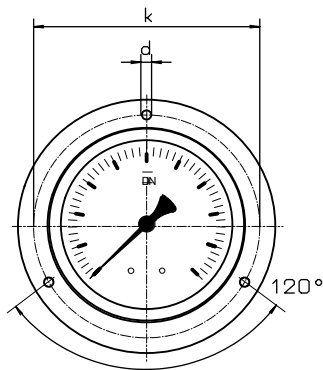
Centric



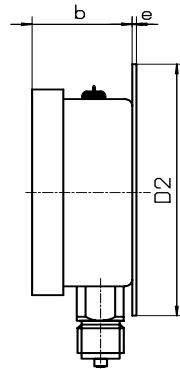
eccentric



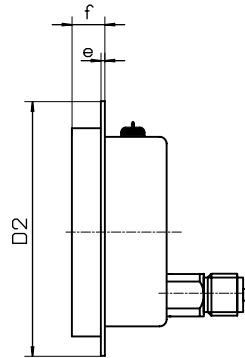
Front flange



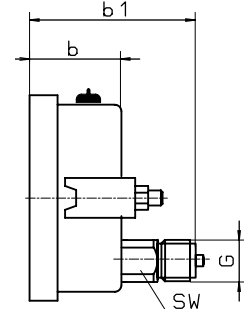
Rear flange



Front flange

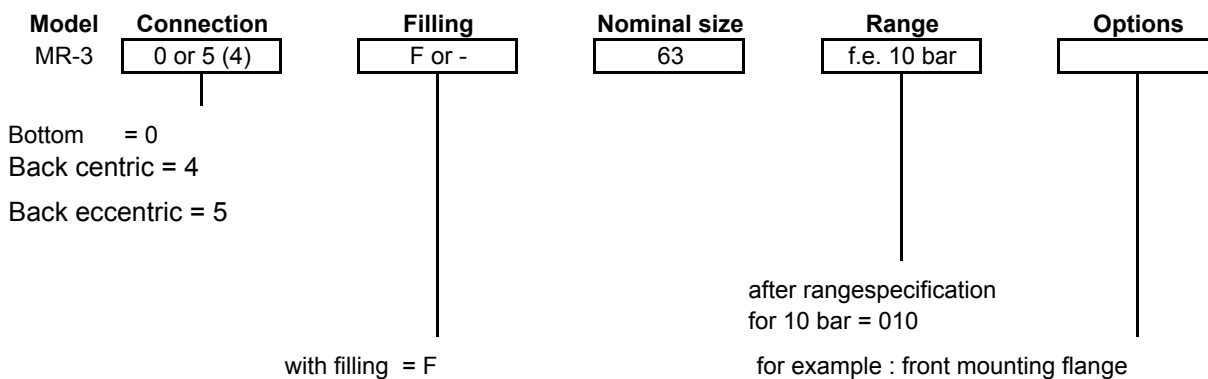


with triangle bezel and U-clamp,



Dimensions in mm														
Model	NG	D	a	b	b1	h		D2	e	f	k	d	sw	G
MR-20	63	68,5	9,5	31	-	53		85	3	16	75	3,7	14	G 1/4 B
MR-25	63	68,5	-	31	60	-		85	3	16	75	3,7	14	G 1/4 B
MR-20 F	63	68,5	9,5	31	-	53		85	3	16	75	3,7	14	G 1/4 B
MR-24 F	63	68,5	-	31	60	-		85	3	16	75	3,7	14	G 1/4 B

Modelspecification



Heavy Duty pressure gauges with Bourdon tube

Nominal size ND 100 ,ND 160
Accuracy class 1.0

according to DIN EN 837-1

Features

Accuracy class 1.0
High reliability on a longterm basis
Stainless steel case
Overload capacity 1.3 x
Copper alloy measuring system



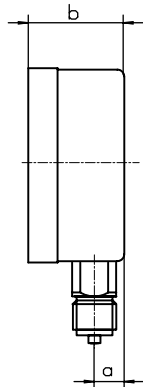
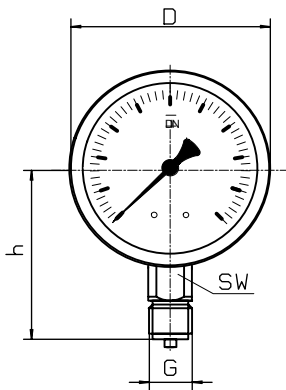
Applications

Mechanical engineering and apparatus construction,
power supply,
laboratory and test engineering

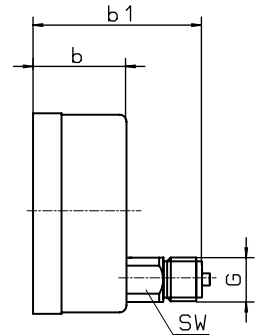
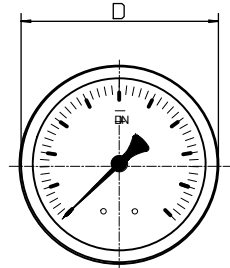
Models and ND	MR-20 100	MR-25 100	MR-20 160	MR-25 160
Connections	bottom	back, eccentric	bottom	back, eccentric
Ranges in bar	0...0,6, 1, 1,6, 2,5, 4, 6, 10, 16, 25, 40, 60, 100, 160, 250, 400, 600, 1.000, 1.600 -0,6 / 0, -1 / 0, -1 / +0,6, -1 / +1,5, -1 / +3, -1 / +5, -1 / +9, -1 / +15, -1 / +24			
Application	Constant load : up to full scale value , >1000 bar 3/4 Alternating load : up to 0,9 x full scale value , > 1000 bar 2/3 Overrange protection 1,3 times max. , > 1000 bar full scale value			
Case	CrNi steel, pressure relief opening (closed with rubber disk)			
Bezel	CrNi steel bayonet			
Window	Laminated safety glass			
Dial	Aluminium , white ,scale and imprint black			
Pointer	Aluminium, black			
Movement	CuZn-alloy			
Measuring element	CuZn-alloy up to 40 bar, above 40 bar helical spring stainless steel			
Connection	Copper Alloy up to 1000 bar, > 1000 bar CrNi steel			
Connectionthread	G 1/2 B			
Protection	IP 54 according to EN 60529 / IEC 529			
Temperature drift	Medium: -20°C to 80°C, Ambient : -25°C to 60°C			
Weight	0,6 kg		1,0 kg	

Dimensions

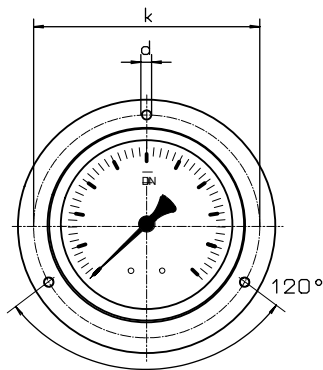
Connection bottom



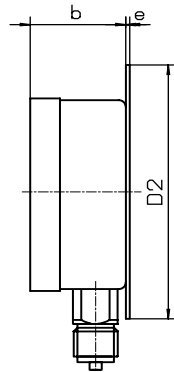
Connection back, eccentric



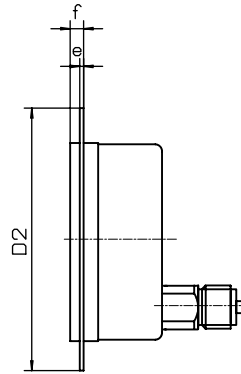
front flange



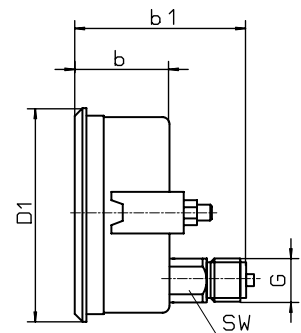
rear flange



front flange



with triangle bezel a. U-clamp



Dimensions in mm														
Model	NG	D	a	b	b1	h	D1	D2	e	f	k	d	sw	G
MR-20	100	101	15	49	-	86	107	132	2	6	116	5	22	G 1/2 B
MR-25	100	101	-	49	85	-	107	132	2	6	116	5	22	G 1/2 B
MR-20	160	160	15	51	-	118	-	196	3	8	178	5,6	22	G 1/2 B
MR-25	160	160	-	51	86	-	166	196	3	8	178	5,6	22	G 1/2 B

Modelspecification

