

## RESISTANCE THERMOMETER type: RT-BUI-O

Process attachment: Turning Nipple

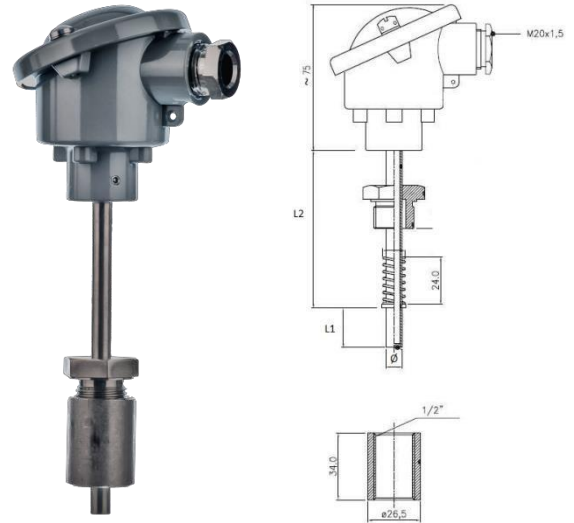
Measuring insert: Fixed

### Application:

- Surface mounting on closed pipelines and containers with gaseous or liquid media, e.g. air, steam, gas, water or oil.
- Field of application: Up to 600°C, max 50bar and media velocities of up to 25m/sec
- Very quick reaction
- Typically applied in:
  - Processing plants
  - Power plants
  - District heating, energy distribution

### Properties:

- Pt100 and Pt1000 resistance thermometer in accordance with IEC 60751
- Mechanical and thermal stress in accordance with DIN 43772
- Process attachment: Welded or adjustable coupling
- Measuring insert: Fixed, short reaction time
- Outer protective sheath: Stainless acid-proof steel
- Modular construction and standard length minimizes the number of spare parts
- Can be delivered with head mounted transmitter
- Marine approved by: DNV, LR, GL, NK, RINA, ABS, KR and BV
- Approved by: GOST and GOST Metrology



RT-BUI-O

5451-E191015

### MECHANICAL SPECIFICATIONS:

**Protective sheath:**   
 W.No. 1.4571 (AISI 316Ti, max. 850°C)  
 Special

**Sensor diameter [mm]:**   
 Ø6 / Ø8  
 Special

**Extension length L2 [mm]:**   
 50 / 100 / 150  
 Special

**Immersion length L1 [mm]:**   
 20 / 40 / 60  
 Special

**Process attachment:**   
 1/2" BSP spring loaded coupling  
 Special

**L1 Bottom:**   
 Steel  
 Silver (for quick reaction).

**Protection head:**   
 B (aluminium (Al), enamelled, low cap, IP54)  
 BH (Al, enamelled, high cap, IP54)  
 BSB (Al, tilting lid w/screw, low cap, IP65)  
 BSBH (Al, tilting lid w/screw, high cap, IP65)  
 BSBH-W (Al, tilting lid w/screw, high cap, digital display (excl. tr.), IP65)  
 CE (Al, enamelled, screw cap, IP68)  
 BSP (plastic, black, screw cap, IP54)  
 BRF (stainless steel, screw cap, M20x1,5, IP67)  
 BRF-EEX (stainless steel, screw cap, M20x1,5, IP67)  
 B-SRF (sanitary, stainless steel, screw cap, M20x1,5, IP67)  
 Special

**Coupling for welding (1/2" BSP):**   
 Yes / No

### ELECTRICAL SPECIFICATIONS:

**Sensor element:**  
 1xPt100  
 2xPt100  
 1xPt1000

**Number of conductors:**  
 2-wire  
 3-wire  
 4-wire

**Media temperature max:**  
 +180°C  
 +250°C  
 +400°C

**Tolerance in accordance with IEC 60751:**  
 Type A DIN (i.e. ±(0,15+0,002xTactual)°C)  
 Type B 1/1 DIN (i.e. ±(0,3+0,005xTactual)°C)  
 Type B 1/3 DIN (i.e. ±(0,1+0,0017xTactual)°C)  
 Type B 1/6 DIN (i.e. ±(0,05+0,00083xTactual)°C)  
 Type B 1/10 DIN (i.e. ±(0,03+0,0005xTactual)°C)

No  Yes  
 If "yes":  
**Programmable transmitter**  
**Measuring range min/max:** -200/+850°C  
**Output:** 2-wire, 4-20 mA  
**Min. span:** 25°C  
**Ambient temperature min/max:** -40/+85°C  
 4mA= \_\_\_\_\_ °C  
 20mA= \_\_\_\_\_ °C  
 Upscale  
 Downscale  
 Type:.....