

# RT-B-BP1

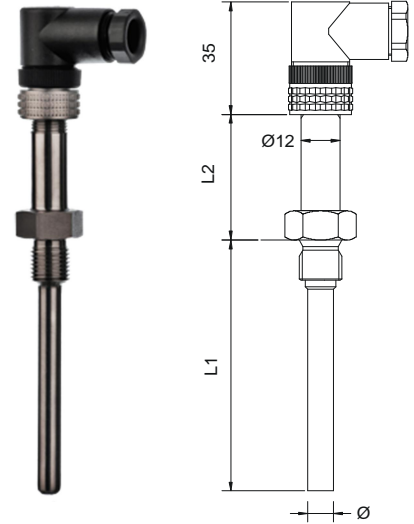
## Compact Pt100, Resistance Thermometer

### Application:

- For measuring temperatures of liquid and gaseous media
- The measuring inset can be replaced or calibrated without shutting down the system
- For operations that require the sensor to couple quickly and uncouple electrically, and where a secure fixing of the cable is needed
- Typically applied in: processing plants, the shipping industry, the refrigeration industry, the engineering industry, the energy industry

### Properties:

- Sensor: Pt100, 2xPt100, Pt1000 in accordance with DIN IEC 751
- Mechanical and thermal stress in accordance with DIN 43763
- Measuring inset: interchangeable
- Process attachment: thread
- Outer protective sheath and nipple: acid-proof steel
- Withstands media temperatures of up to max 250°C
- Withstands ambient temperatures of min/max: -25/+120°C
- Withstands vibrations
- Quick reaction time
- Electrical connection: PG9 (Degree of protection IP 65)
- Marine approved by: DNV, LR, GL, NK, RINA, ABS, KR and BV
- Approved by: GOST and GOST Metrology



	<b>RT-BP1</b>	5452-E200313
--	---------------	--------------

### MECHANICAL SPECIFICATIONS:

#### Protective sheath: -----

Wnr.1.4571 (AISI316TI)  
Special

#### Sensor diameter: -----

Ø8mm  
Special

#### Extension length: -----

30mm  
Special

#### Immersion length L: -----

50mm  
80mm  
100mm  
150mm  
200mm  
Special

#### Process attachment: -----

1/4" BSP  
1/2" BSP  
Special

### ELECTRICAL SPECIFICATIONS:

#### ---Sensor element:

1 x Pt100  
2 x Pt100  
1 x Pt1000  
2 x Pt1000

#### ---Number of conductors:

2 conductors  
3 conductors (only for 1x Pt100, 1xPt1000)  
4 conductors (only for 1x Pt100,1xPt1000)

#### ---Media temperature range

min/max:  
-50/+180°C  
Special

#### ---Tolerance in acc. with DIN IEC 751:

Type A DIN(i.e.±(0,15+0,002xTactual)°C)  
Type B 1/1 DIN (i.e.±(0,3+0,005xTactual)°C)  
Type B 1/3 DIN(i.e.±(0,1+0,005xTactual)°C)  
Type B 1/6 DIN(i.e.±(0,05+0,005xTactual)°C)  
Type B 1/10 DIN(i.e.±(0,03+0,005xTactual)°C)