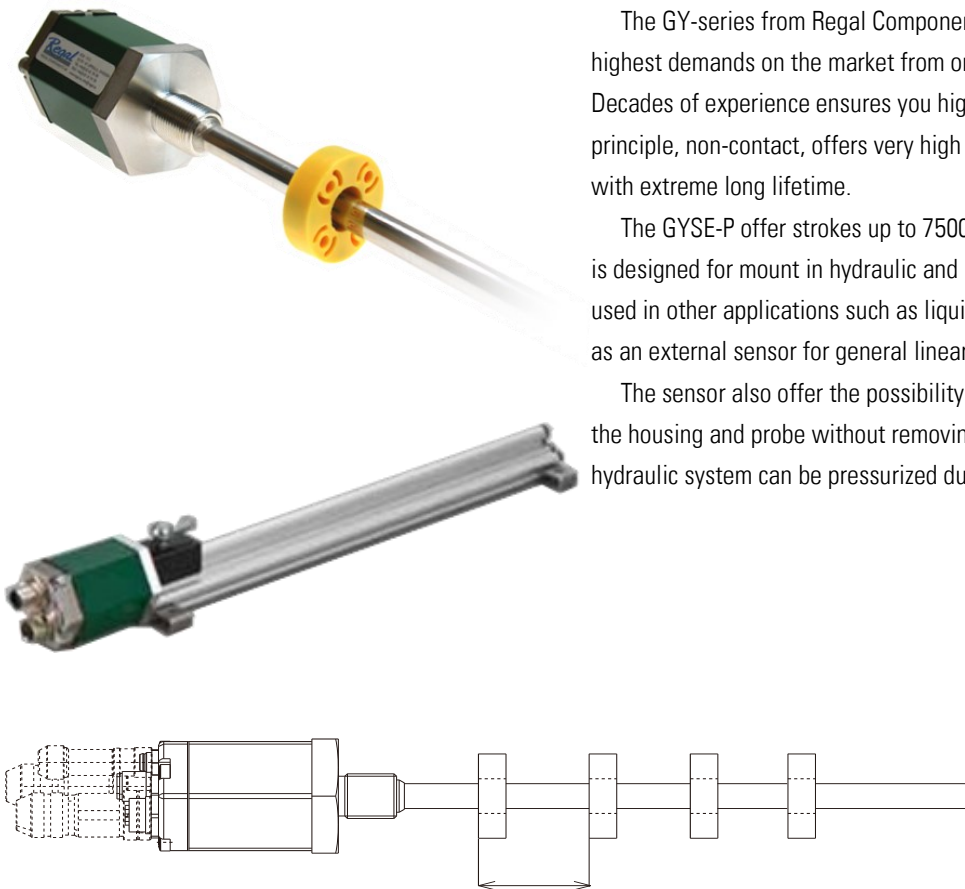


GYSE-P *Magnetostrictive linear sensor 15-7500mm*



Multi magnet option with up to 32 magnets. At least 75mm between the magnets.

The GY-series from Regal Components offer sensors that meet the highest demands on the market from one of the leading suppliers in Japan. Decades of experience ensures you highest quality. The magnetostrictive principle, non-contact, offers very high performance and linearity combined with extreme long lifetime.

The GYSE-P offer strokes up to 7500 mm and Profibus DP (DPV0) output. It is designed for mount in hydraulic and pneumatic cylinders and can also be used in other applications such as liquid level detection. It is also available as an external sensor for general linear measurement.

The sensor also offer the possibility to exchange the sensor part inside the housing and probe without removing the complete sensor. This mean the hydraulic system can be pressurized during the exchange process.

SPECIFICATIONS	
Supply voltage	24 VDC \pm 2 (70 mA)
Output signal	Profibus DPV0
Independent linearity	$< \pm 0.02\%$ FS*
Resolution	Min. 1 μ m (set with Profibus)*
Repeatability	$< \pm 0.001\%$ FS*
Temperature drift	
Sensor probe	$< \pm 15$ ppm FS/ $^{\circ}$ C
Sample rate	250-2000 Hz
Stroke length	15-7500 mm
Temperature	
Operating	-20° C... $+75^{\circ}$ C
Storage	-40° C... $+75^{\circ}$ C
Material	
Housing	Aluminium
Probe rod	Stainless steel SS304
Vibration	15 G (20-100 Hz)
Shock	100G (2ms)
Protection class	IP67
Working pressure	350 bar
* Above mentioned accuracy applies to sensors with an effective stroke of 300 mm or more.	

ORDER INFORMATION

GYSE-P - □□□□ - □/□ - □□ - □ - CN
 1 2 3 4 5 6

1 Effective stroke (15-7500mm)

2 Thread dead zone

S: 50 mm (std)

3 Tip dead zone

S: 70 mm/90 mm/100 mm (std),

Depends on the magnet

4 Thread / Rod diameter

N: M18x1.5, \varnothing 10 mm (std)

M: M24x1.0, \varnothing 10 mm

M14: M24xP1.0, \varnothing 13.8 mm

5 Magnet

M2PN: No.2PN (std)

View Magnet datasheet for more alternatives, group GG

6 Cable connection

CN: Connector (std)

Other alternatives available. Please contact Regal Components for more information.

2014-08-12, specifications subject to change without notice

ISO 9001
BUREAU VERITAS
Certification

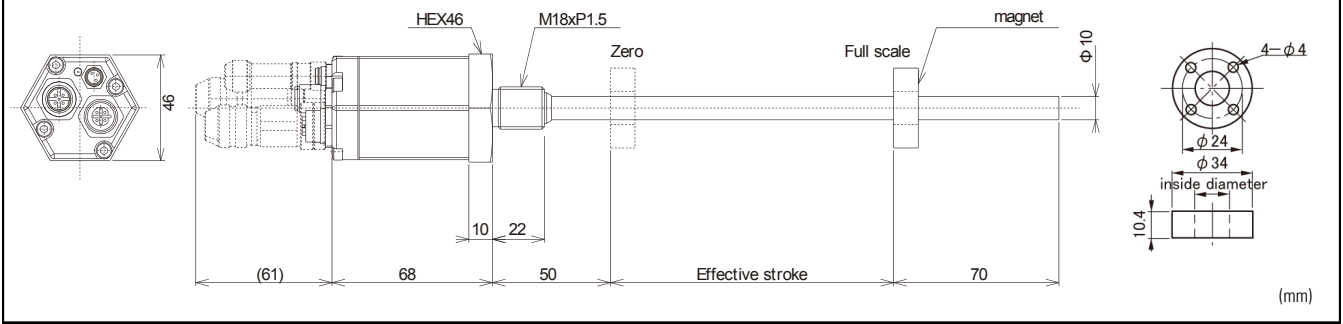


REGAL COMPONENTS AB • LEFFLERSGATAN 1 • SE-754 50 UPPSALA • SWEDEN
 +46 (0)18-65 70 00 • WWW.REGAL.SE • INFO@REGAL.SE

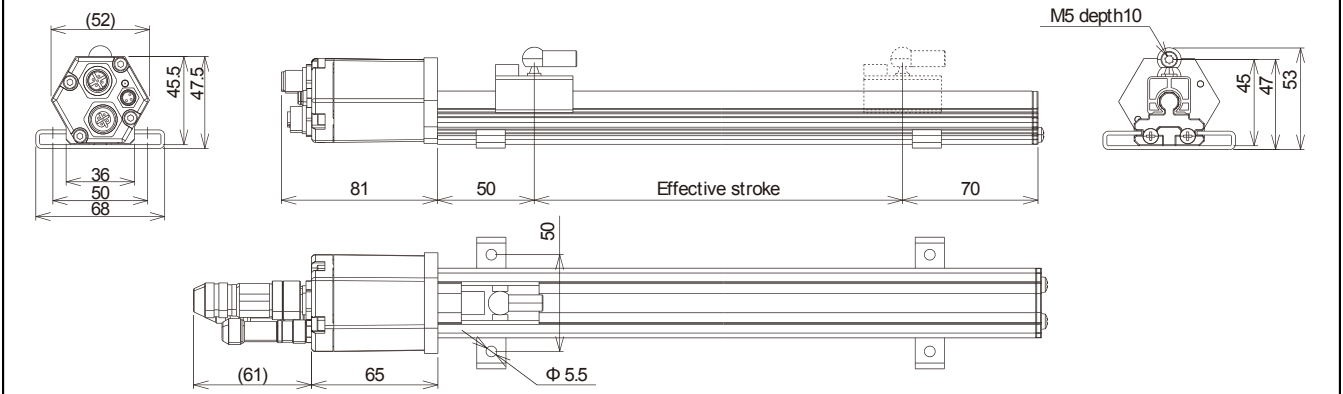
Regal

GYSE-P *Magnetostrictive linear sensor 15-7500mm*

GYSE-P: N-, cylinder installation, Magnet 2PN inside dia. 14 mm

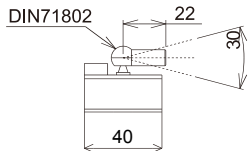


GYSE-P: PF, profile type



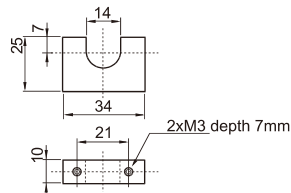
MAGNET PFU

Sliding type
Material: Polyacetal



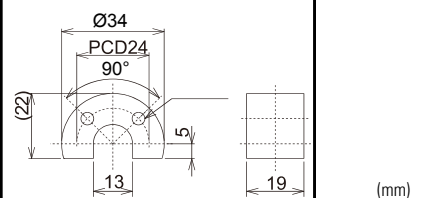
MAGNET No. 11N

Floating type
Material: MC nylon

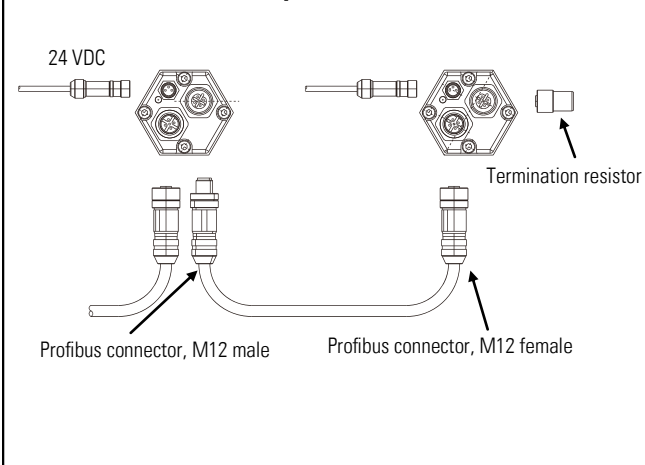


MAGNET No. 5PFT-LG

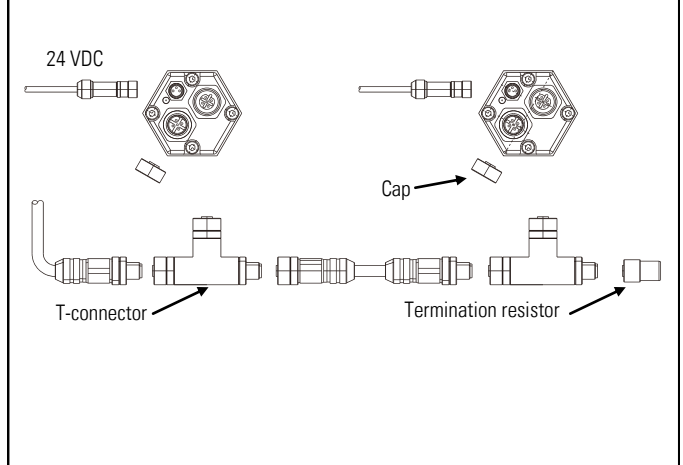
Floating type
Material: SS304



Connection, Profibus loop



Connection, Profibus T-connector



2014-08-12, specifications subject to change without notice



REGAL COMPONENTS AB • LEFFLERSGATAN 1 • SE-754 50 UPPSALA • SWEDEN
+46 (0)18-65 70 00 • WWW.REGAL.SE • INFO@REGAL.SE

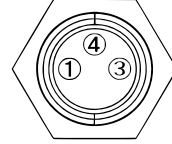


GYSE-P *Magnetostrictive linear sensor 15-7500mm*

Electrical connection

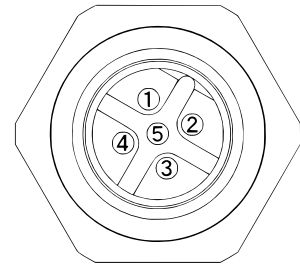
POWER CONNECTOR

M8 pin	Function
1	24 V
3	0 V
4	N.C.
Shield	Chassi of sensor



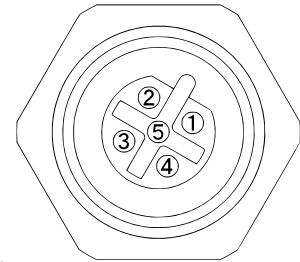
PROFIBUS INPUT CONNECTOR

M12 pin (B-code)	Function
1	N.C.
2	RxD/TxD/N(A)
3	N.C.
4	RxD/TxD-P(B)
5	N.C.



PROFIBUS OUTPUT CONNECTOR

M12 pin (B-code)	Function
1	Vp+5 (bus terminal)
2	RxD/TxD/N(A)
3	DGND (bus terminal)
4	RxD/TxD-P(B)
5	N.C.



2014-08-12, specifications subject to change without notice

ISO 9001
BUREAU VERITAS
Certification



REGAL COMPONENTS AB • LEFFLERSGATAN 1 • SE-754 50 UPPSALA • SWEDEN
+46 (0)18-65 70 00 • WWW.REGAL.SE • INFO@REGAL.SE

Regal