

6160

Solder free cylinder connector M12



Soldering is a tedious and time consuming step in mounting of cylinder sensors. Regal has a solution for our potentiometer based sensor PS6500 together with a mini cable. Now we can also offer a solution that fits the contactless cylinder sensors of the RCL- and GY-series.

The solution is based on two parts:

- A house in nickel-plated zinc with M12 thread for the connection. This part is mounted on the cylinder with 4 pcs of M3 screw.
- M12 inner part. This part is feed through the cylinder and through the mounting hole for the connector. This part and the connector is connected to each other and the connector is ready for mounting.

A suitable O-ring is supplied with the package. After mounting of a mating connector the total assembly will comply with protection class IP67.



- Solder free
- M12-standard
- IP67
- Fits most sensors, contact Regal for more information.

SPECIFICATIONS	
Rated current	4 A
Rated voltage	250 V
Voltage spike	2,5 kV
Number of pins	4
Contact resistance	≤ 3 mΩ
Insulation resistance	≥ 100 MΩ
Coding	A - standard
Standard	M12-contacts IEC 61076-2-101
Connection	Crimp pins
Material	
Housing	Galvanized steel castings, nickel-plated
Insert	PA 66
Pins	Gold plated brass
O-ring	NBR
Ambient temperature	-25°C...+85°C
Protection degree	IP67

CONNECTION			
PIN	RCL40	RCL41	GY-mini
1	Red	White	Red
2	N.C.	N.C.	N.C.
3	Black	Brown	Black
4	N.C.	N.C.	White

ORDER INFORMATION	
6160 - □□□□ - □□□□	
1	2
1 Name of the sensor	
2 Cable length between sensor and 6160 (mm), the distance from the back of the sensor to the M12 inner part. Add 15mm for mounting purposes.	
Contact Regal for more information.	

2015-09-15, specifications subject to change without notice

ISO 9001
BUREAU VERITAS
Certification



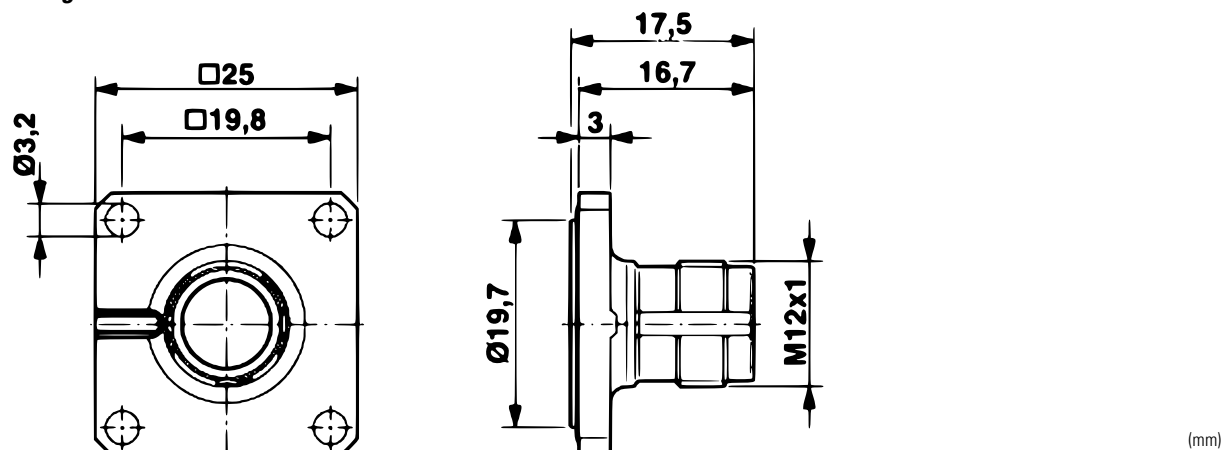
REGAL COMPONENTS AB • LEFFLERSGATAN 1 • SE-754 50 UPPSALA • SWEDEN
+46 (0)18-65 70 00 • WWW.REGAL.SE • INFO@REGAL.SE

Regal

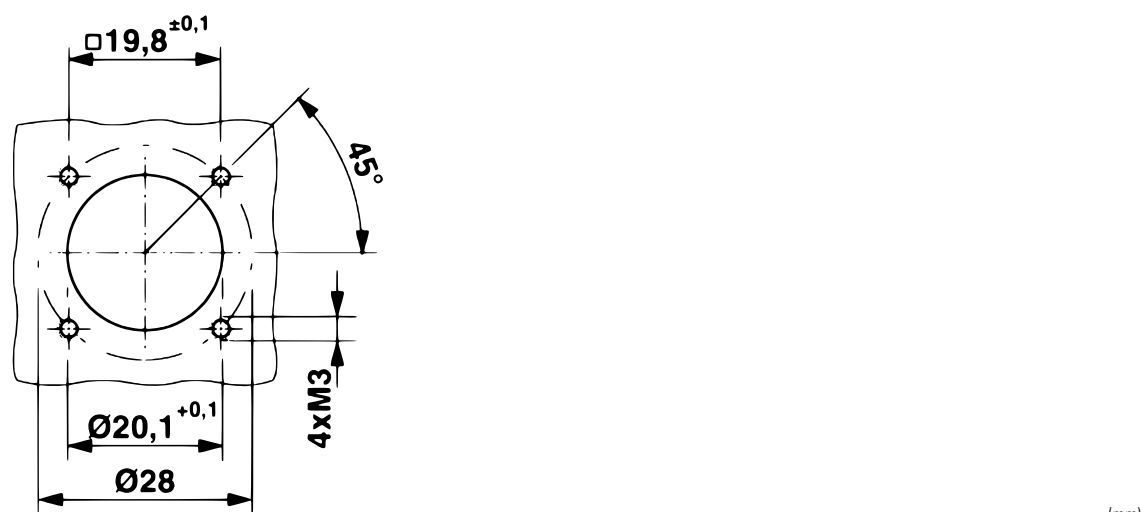
6160

Solder free cylinder connector M12

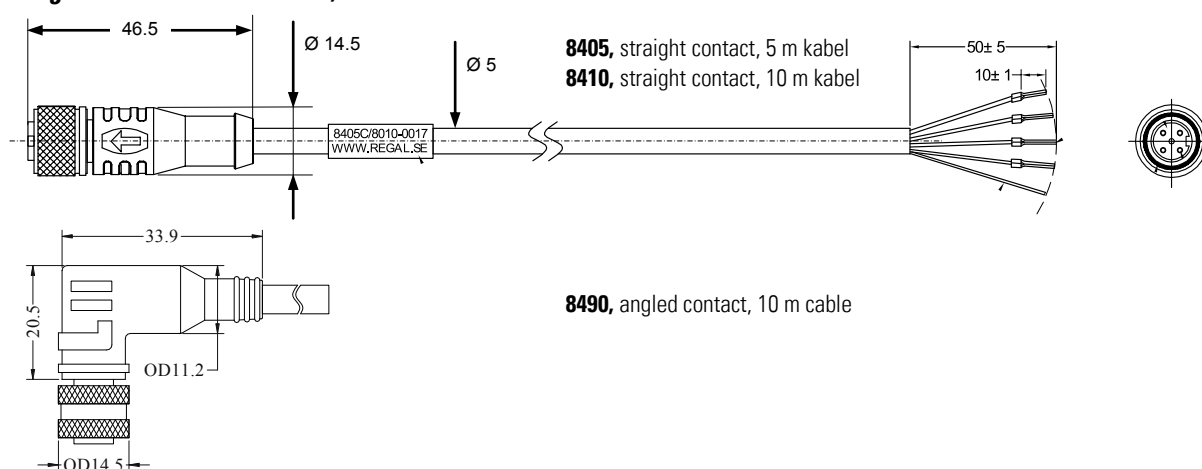
6160 housing



6160 mounting instruction



Mating M12-cable articles 8405 / 8410 and 8490



2015-09-15, specifications subject to change without notice

ISO 9001
BUREAU VERITAS
Certification



REGAL COMPONENTS AB • LEFFLERSGATAN 1 • SE-754 50 UPPSALA • SWEDEN
+46 (0)18-65 70 00 • WWW.REGAL.SE • INFO@REGAL.SE

Regal