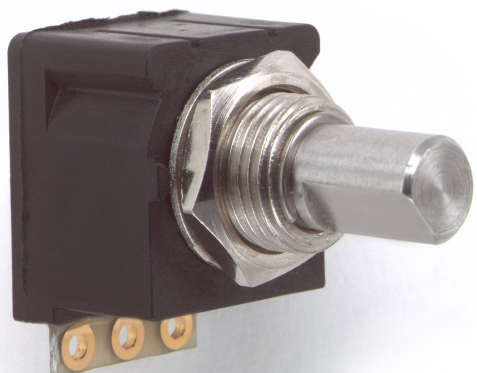


5320-series

Rotary sensor 0-240°



The 5320 Series from Regal Components offers a highly reliable rotary potentiometer sensor that can be easily integrated or re-packaged into a wide variety of existing and new applications. The 5320 Series is ideally suited for tight packaging constraints while providing superior durability, long service life and repeatable accuracy.

The sensor is fully sealed and impervious to contamination and moisture. A wide variety of standard and non-standard options are available including detent functions, electrical/mechanical angles, shaft/bushing sizes, lengths and configurations, resistance values, etc.

The 5320 Series standard termination offers gold plated through holes for direct soldering. Options are also available for custom termination methods by contacting Regal Components.

The 5320 series sensors offer all of the advantages of a cost effective, traditional potentiometer while providing a rugged, compact, low-profile design to survive the harshest conditions.

ELECTRICAL SPECIFICATION

Electrical travel	240°
Active electric travel	216° (5-95%)
Resistance	1, 5, 10 kΩ ±20%
Independent linearity	±2%
Power rating at 70°C	0,25 W
Recommended load	100 x R

ENVIRONMENTAL SPECIFICATION

Temperature	-40°C- +125°C
Vibration	15 Gs, 10 to 2000 Hz
Shock	30 Gs max.
Salt spray	96 hours
Protection class	IP66/IP67
Resistance to solder heat	350°C for 5 sec.

MECHANICAL SPECIFICATION

Total travel (stop to stop)	250°
Stop strenght	max 1350 Nmm
Shaft pull out strenght	200N
Shaft operating torque	5-25 Nmm
Shaft starting torque	35 Nmm max.
Mechanical life	1 million cycles
Detent life	10 000 cycles
Detent torque	35-120 Nmm
Detent release position	20° max.

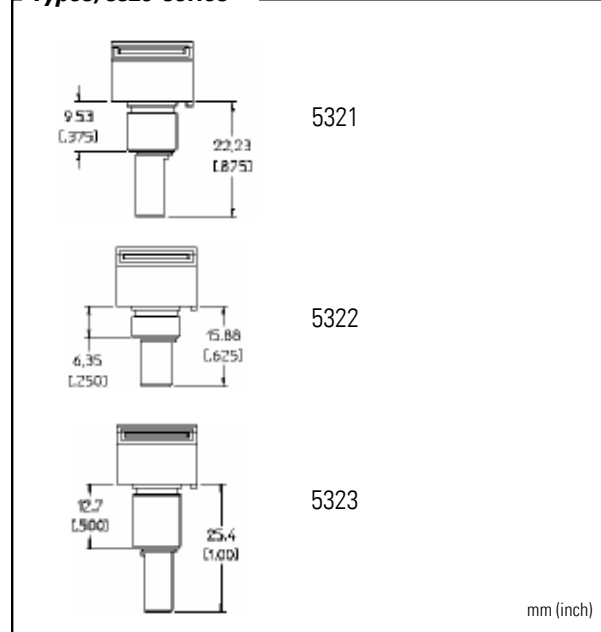
MATERIALS

Shaft	Stainless steel
Bushing	Nickel plated brass
Housing	Nylon 6 (Akulon)
PCB	FR-4

Other alternatives available. Please contact Regal Components for more information.

- 1 million plus operational cycles
- IP66 or IP67
- Extended temperature range
- High quality, Rugged construction
- Wide range of configurations

Types, 5320-series



2015-02-17, specifications subject to change without notice

ISO 9001
BUREAU VERITAS
Certification



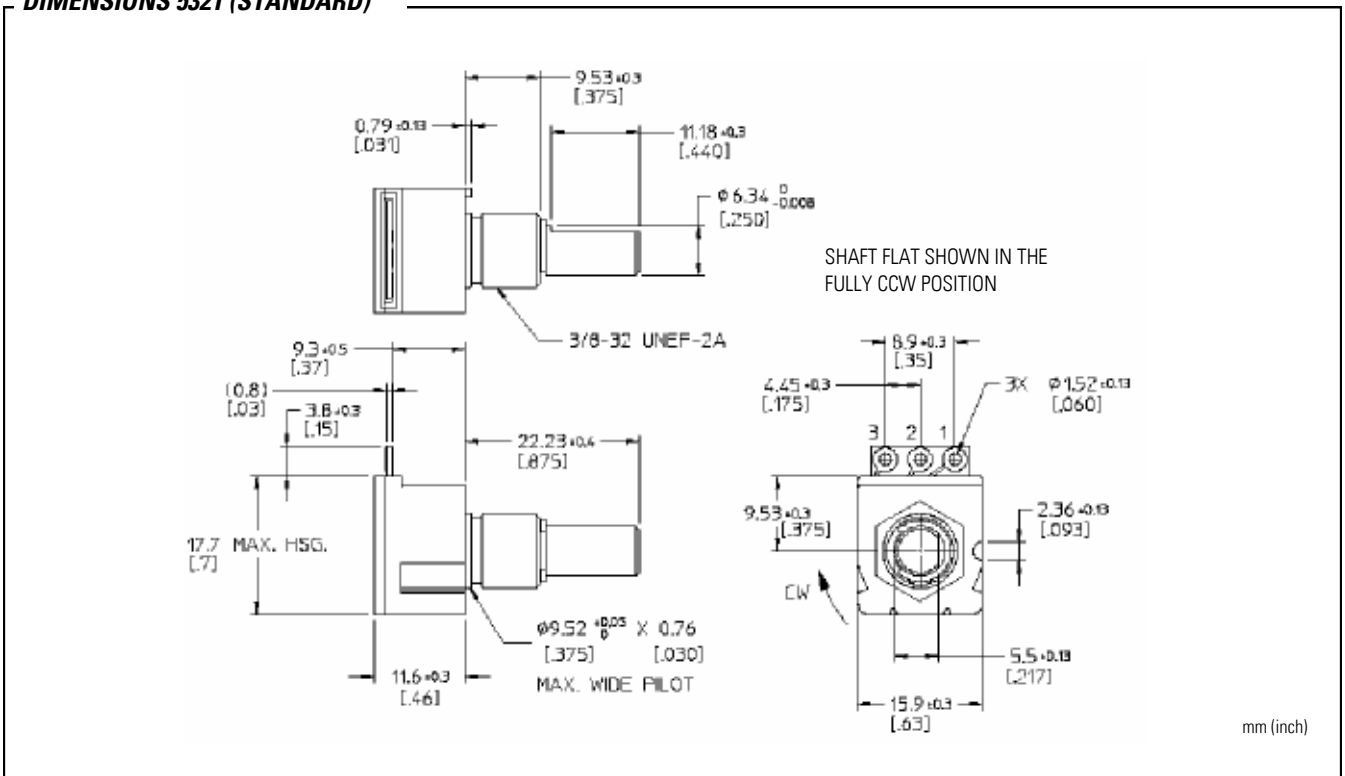
REGAL COMPONENTS AB • LEFFLERSGATAN 1 • SE-754 50 UPPSALA • SWEDEN
+46 (0)18-65 70 00 • WWW.REGAL.SE • INFO@REGAL.SE

Regal

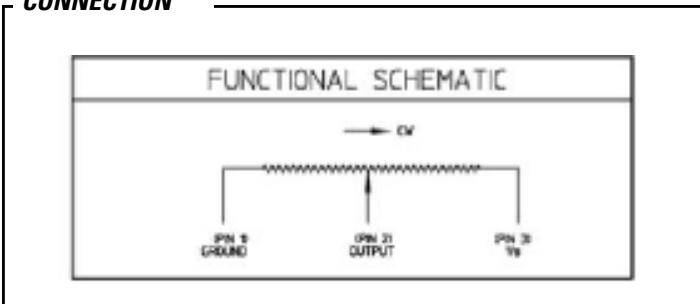
5320-series

Rotary sensor 0-240°

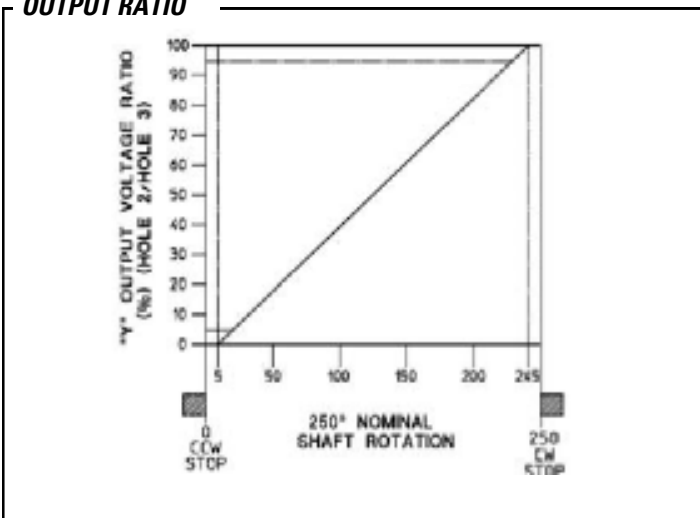
DIMENSIONS 5321 (STANDARD)



CONNECTION



OUTPUT RATIO



2015-02-17, specifications subject to change without notice

ISO 9001
BUREAU VERITAS
Certification



REGAL COMPONENTS AB • LEFFLERSGATAN 1 • SE-754 50 UPPSALA • SWEDEN
+46 (0)18-65 70 00 • WWW.REGAL.SE • INFO@REGAL.SE

Regal