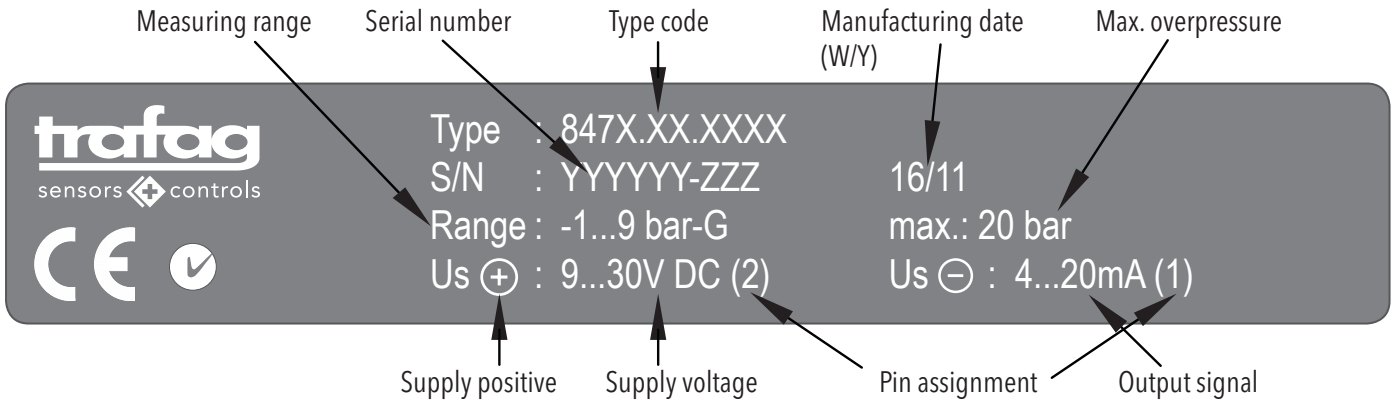



**Technical specification**


Mounting torque: 15 ... 20 Nm  
 Ambient temperature: ECT: -25°C ... +125°C  
 Cable PVC: -5°C ... +60°C / Cable PUR: -20°C ... +70°C / Cable Raychem: -20°C ... +100°C  
 ECTN / ECR: -25°C ... +125°C  
 Media temperature: -25°C ... +125°C  
 ECT 400bar/5000psi: -10°C ... +125°C  
 ECTN 400bar/5000psi: -10°C ... +85°C

**Type label description**



Measuring range    Serial number    Type code    Manufacturing date (W/Y)    Max. overpressure

trafag  
sensors  controls

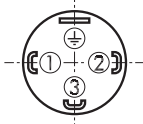


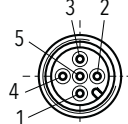
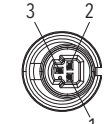
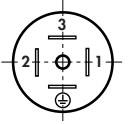
CE 

Type : 847X.XX.XXXX  
 S/N : YYYYYY-ZZZ  
 Range : -1...9 bar-G  
 Us ⊕ : 9...30V DC (2)  
 Us ⊖ : 4...20mA (1)

16/11  
 max.: 20 bar

Supply positive    Supply voltage    Pin assignment    Output signal

**Electrical connections**

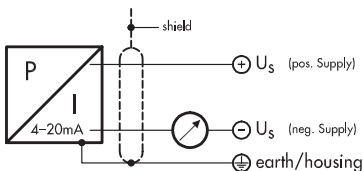
Ingress Protection	IP65 <sup>1)</sup>	IP67	IP68 max. 3m	IP67 <sup>1)</sup>	IP67 <sup>1)</sup>	IP65
Designation	EN175301-803A (DIN43650-A)	Cable* (PVC) (PUR) 4 x 0.25mm <sup>2</sup>	Cable* (PVC) (PUR) 4 x 0.25mm <sup>2</sup>	M12x1 5-pol.	Packard Metri Pack 3-pol.	Industrial Standard contact distance 9.4 mm
Type code	<b>847X.XX.XXXX.05</b>	<b>847X.XX.XXXX.24/22</b>	<b>847X.XX.XXXX.08</b>	<b>847X.XX.XXXX.35</b>	<b>847X.XX.XXXX.51</b>	<b>847X.XX.XXXX.01</b>
Pin configuration						

<b>Output</b>	<b>Load resistance</b>	<b>I<sub>SUPPLY</sub></b>	<b>U<sub>SUPPLY</sub></b>
4 ... 20 mA	(U <sub>SUPPLY</sub> -9V)/ 20mA		9 ... 30 VDC
0 ... 5 VDC	> 2.5 kΩ	<10 mA	10 ... 30 VDC
1 ... 6 VDC	> 5.0 kΩ	<10 mA	10 ... 30 VDC
0 ... 10 VDC	> 5.0 kΩ	<10 mA	15 ... 30 VDC
0.5 ... 4.5 VDC	> 5.0 kΩ	<10 mA	5 VDC ± 0.25 V

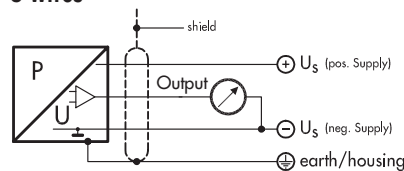
<sup>1)</sup> provided female connector is mounted according to instructions  
 \* Ventilation via cable end; shield in the device is not connected

**Connection of the measuring equipment**

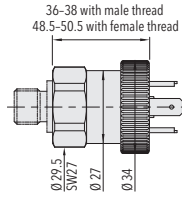
**Current output 2-wires**



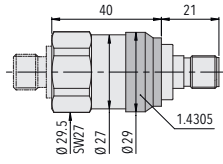
**Voltage output 3-wires**



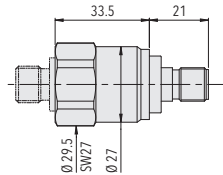
# Electrical connections



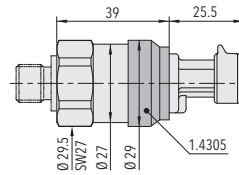
847X.XX.XXXX05.XX.XX



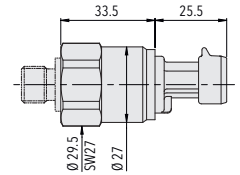
847X.XX.XXXX35.XX.XX



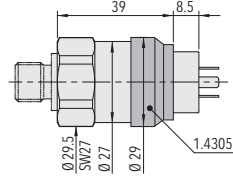
847X.XX.XXXX35.XX.XX



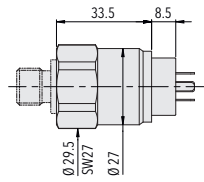
847X.XX.XXXX51.XX.XX



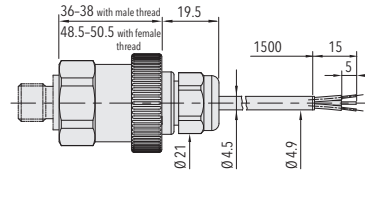
847X.XX.XXXX51.XX.XX



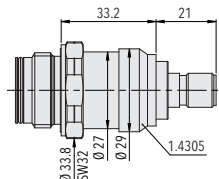
847X.XX.XXXX01.XX.XX



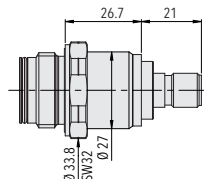
847X.XX.XXXX01.XX.XX



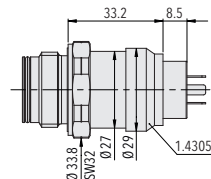
847X.XX.XXXX22/24/08.XX.XX



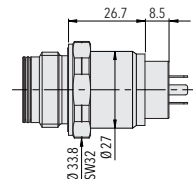
847X.XX.XX52.35.XX.XX



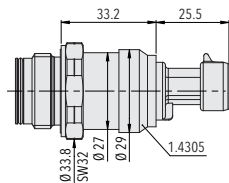
847X.XX.XX52.35.XX.XX



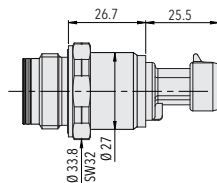
847X.XX.XX52.01.XX.XX



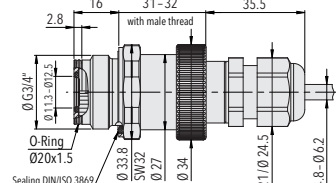
847X.XX.XX52.01.XX.XX



847X.XX.XX52.51.XX.XX

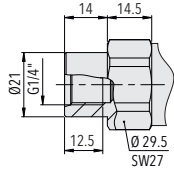


847X.XX.XX52.51.XX.XX

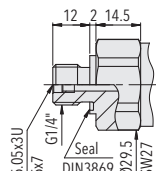


847X.XX.XX52.22/24/08.XX.XX

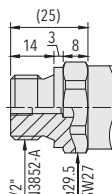
# Pressure connections



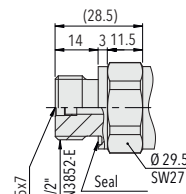
847X.XX.XX10.XX.XX.XX



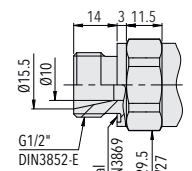
847X.XX.XX17.XX.XX.XX



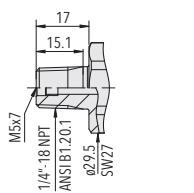
847X.XX.XX21.XX.XX.XX



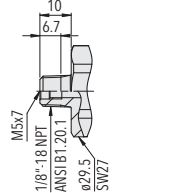
847X.XX.XX41.XX.XX.XX



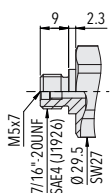
847X.XX.XX59.XX.XX.XX



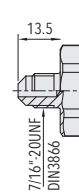
847X.XX.XX30.XX.XX.XX



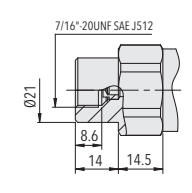
847X.XX.XX43.XX.XX.XX



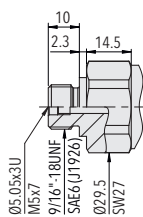
847X.XX.XX42.XX.XX.XX



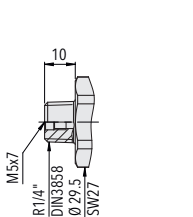
847X.XX.XX18.XX.XX.XX



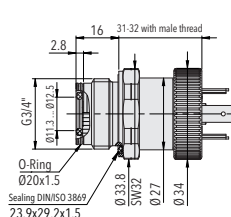
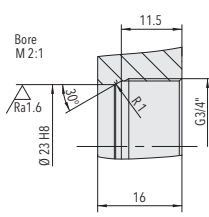
847X.XX.XX24.XX.XX.XX



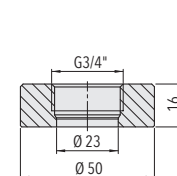
847X.XX.XX61.XX.XX.XX



847X.XX.XX19.XX.XX.XX



847X.XX.XX52.05.XX.XX



Welding flange for G3/4" frontal membrane (1.4301) Ordering No. C27805